

Split pillow blocks SAF and SAW series (inch dimensions)

Bearing types

- Spherical roller bearings (SAF and SAW)
- Self-aligning ball bearings (SAF)
- CARB toroidal roller bearings (SAF)

Bearing dimension series

- 12, 13, 22, 23, 30 (SAF)
- 22, 32 (SAW)

Shaft diameter range

- 1 ³/₁₆ to 10 ¹/₂ in. (SAF)
- 3 ³/₁₆ to 7 ¹⁵/₁₆ in. (SAW)

Typical shaft-bearing combinations

- Plain shaft with bearing on an adapter sleeve
- Stepped shaft with bearing on a cylindrical seat

Seals

- Labyrinth
- Contact
- Heavy-duty

Lubrication

- Grease
- Oil

Materials

- Grey cast iron
- Cast steel
- Spheroidal graphite cast iron

Mounting

- Two-bolt mounting
- Four-bolt mounting

SAF and SAW split pillow (plummer) block housings are popular SKF bearing housings with inch dimensions, developed to be the first choice for design, quality and economy.

SAF and SAW housings enable the incorporated bearings to achieve maximum service life with less need for maintenance. Different housing variants and seal designs are available, making the use of tailored housings virtually unnecessary and enabling cost-effective bearing arrangements.



Units of measurement

In this chapter only imperial units are used. To convert imperial units to metric units, refer to the conversion table on **page 10**.

Split pillow blocks SAF and SAW series (inch dimensions)

Designations	385	Mounting	414
Standard housing design	386	Cap bolt torque specifications	414
Features and benefits	387	Pinning or supporting the housing	414
Housing material	387	Condition monitoring	415
Paint, corrosion protection	387	Accessories	415
Housing variants	388	Ordering information	416
Housing material	388	Product tables	
Sealing solutions	389	8.1 SAF pillow blocks with self-aligning ball bearings on an adapter sleeve (Series 15(00), 16(00))	418
Labyrinth seals	400	8.2 SAF and SAW pillow blocks with spherical roller bearings on an adapter sleeve (Series 225(00), 226(00), 230(00)KA, 235(00))	422
Labyrinth rings with an internal contact element	400	8.3 SAF pillow blocks with CARB bearings on an adapter sleeve (Series C25(00), C26(00), C30(00)KA)	430
Taconite heavy-duty seals	400	8.4 SAF pillow blocks with self-aligning ball bearings on a cylindrical seat (Series 13(00), 12(00))	434
Contact seals	400	8.5 SAF and SAW pillow blocks with spherical roller bearings on a cylindrical seat (Series 222(00), 223(00), 232(00))	436
End plugs	400	8.6 SAF pillow blocks with CARB bearings on a cylindrical seat (Series C22(00), C23(00))	444
Using sealed bearings	401		
Special seals	401		
High-temperature seals	401		
High-speed seals	401		
Design considerations	402		
Typical shaft-bearing combinations ...	402		
Locating and non-locating bearing positions	402		
Load carrying ability	403		
Operating temperature	407		
Operating speed	407		
Shaft specifications	408		
Attachment bolt recommendations	408		
Lubrication	408		
Initial grease fill	408		
Relubrication	410		
Oil lubrication	411		

Designations

Designation system for SAF and SAW pillow (plummer) blocks

SAF 22634 TA

Prefix for bolt holes

F Four-bolt base (SAF housings)

Series

S Standard pillow block housings
A Inch dimensions
F Labyrinth seal
W Wide bearing seat
B Pillow blocks with sealed bearing

Material

- Cast iron (standard)
D Ductile iron
S Cast steel

Size identification

13(00) Kits with self-aligning ball bearings with cylindrical bore, diameter series 3
15(00) Kits with self-aligning ball bearings on an adapter sleeve, diameter series 2
16(00) Kits with self-aligning ball bearings on an adapter sleeve, diameter series 3
222(00) Kits with spherical roller bearings with cylindrical bore, diameter series 2
223(00) Kits with spherical roller bearings with cylindrical bore, diameter series 3

225(00) Kits with spherical roller bearings on an adapter sleeve, diameter series 2
226(00) Kits with spherical roller bearings on an adapter sleeve, diameter series 3
230(00) Kits with spherical roller bearings on an adapter sleeve, diameter series 0
232(00) Kits with spherical roller bearings with cylindrical bore, diameter series 2
235(00) Kits with spherical roller bearings on an adapter sleeve, diameter series 2

C22(00) Kits with CARB toroidal roller bearings with cylindrical bore, diameter series 2
C23(00) Kits with CARB toroidal roller bearings with cylindrical bore, diameter series 3
C25(00) Kits with CARB toroidal roller bearings on an adapter sleeve, diameter series 2
C26(00) Kits with CARB toroidal roller bearings on an adapter sleeve, diameter series 3
C30(00) KA Kits with CARB toroidal roller bearings on an adapter sleeve, diameter series 0
(00) Size code of the bearing, (00) x 5 = bearing bore diameter [mm]

Suffixes¹⁾

T Taconite seal with contact element
TV Taconite seal with V-ring
TA or TVA Taconite seal with button head grease fitting
TB or TVB Taconite seal with giant button head grease fitting
TLC PosiTrac Plus seal
Y One end closed (i.e. supplied with end plug)
-11 Four-bolt base (cast steel SAFS only)
/VZ... Special feature / modification

¹⁾ When multiple suffixes are used, they are listed in the same order as shown here.

Standard housing design

SAF and SAW housings are split pillow (plummer) block housings consisting of a cap and base. SAF housings have two or four holes cast into the base for attachment bolts. SAW housings have four cast holes.

SAF housings are available in two designs depending on the series. The designs share the same dimensions. SAF housings in the 2(00) and 5(00) series follow the M5 design (→ **fig. 1**), while housings in the 3(00) and 6(00) series follow the A design (→ **fig. 2**).

SAF and SAW (→ **fig. 3**) housings share the same external dimensions, except for the width of a few SAW sizes. These housings are wider to accommodate wider 32 series bearings or to accommodate the larger axial displacement of bearings in the 22 series.

Fig. 1

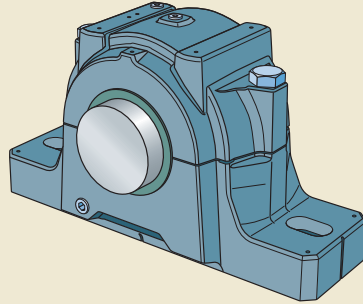


Fig. 2

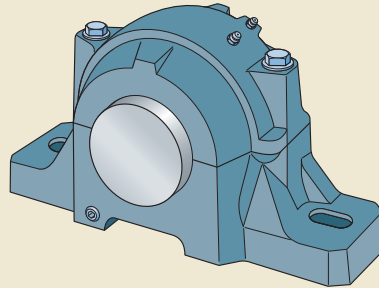
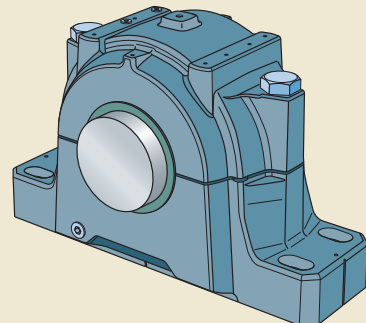


Fig. 3



Features and benefits

SAF and SAW housings share some of the following features and benefits:

Simple mounting and dismounting

To simplify mounting and make alignment more accurate, the feet of SAF and SAW housings have a flat, square design.

To make it easier to separate the cap and base, pry slots are cast into the housing. Smaller sizes have sphered dowel pins to further ease cap removal.

Mounting instructions are supplied with each housing.

Caps and bases individually marked

The housing base and cap are matched during manufacture and are not interchangeable with the caps and bases of other housings. To help avoid mismatch, each cap and base are numbered (→ **fig. 4**).

Grease or oil lubrication

These housings are designed to accommodate both grease and oil lubrication. The sump in the housing base acts as a reservoir to provide an adequate quantity of grease or oil.

Housing material

SAF and SAW housings are made of grey cast iron.

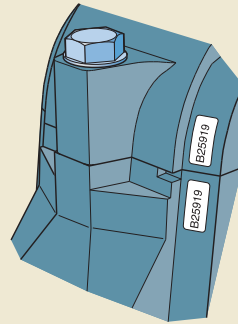
Paint, corrosion protection

SAF and SAW pillow block housings are painted blue (RAL 5001) using a water based alkyd/ acryl paint. The paint protects the housing in accordance with ISO 12944-2, corrosivity category C2 (i.e. exterior atmospheres with low level of pollution, interior atmospheres where condensation may occur). The paint is not affected by most lubricating or engine oils, cutting fluids or alkaline washing chemicals. Housings can be repainted with most water or solvent based 1- or 2-component paints.

Special paints or preservatives can be supplied on request. Unpainted surfaces are protected by a solventless rust inhibitor.

Fig. 4

Individually marked cap and base



Housing variants

In addition to standard design SAF and SAW pillow (plummer) block housings, a number of variants are also available. Additional features include:

- milled foot pads to provide a uniform flat surface for fasteners
- special machining for lubrication and condition monitoring systems
- different bearing seat tolerance classes
- special seals
- machined base ends, to enable precision positioning

For additional information contact the SKF application engineering service.

Housing material

For applications where extra strength is needed, SAF housings are also available in cast steel, designation SAFS. Check availability prior to ordering. Cast steel housings come in three different designs. The different designs share the same dimensions as SAF housings made of grey cast iron.

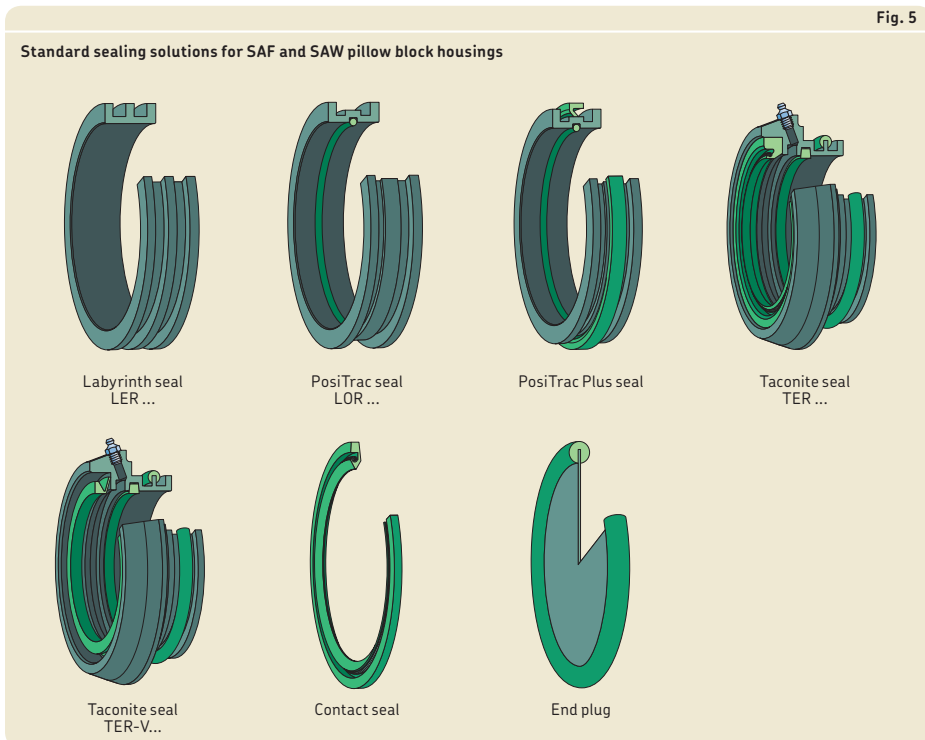
SAF housings are also available in ductile iron (spheroidal graphite cast iron), designation SAFDU, from size 511 to 528 and from size 213 to 228. For additional information, contact the SKF application engineering service.

Sealing solutions

SAF and SAW pillow (plummer) block housings are available with different standard sealing solutions (→ **fig. 5**):

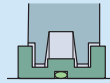
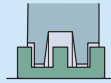
- labyrinth seals (standard or PosiTrac)
- labyrinth seals with internal contact element (PosiTrac Plus)
- taconite heavy-duty seals
- contact seals
- end plugs (end covers)

Table 1, page 390 provides an overview of the characteristics and suitability of each sealing solution. Details are provided in the following text. This information should be used as a guideline, which cannot substitute for testing a seal in its application. **Table 2 on page 392** provides an overview about which seals fit what housing.



Split pillow blocks SAF and SAW series

Standard seals for SAF and SAW housings



Seal

Type	Labyrinth	PosiTrac	PosiTrac Plus
Designation	LER	LOR	LOR and B-10724
Material	aluminum	aluminum and nitrile rubber	aluminum and nitrile rubber

Application conditions and requirements

Temperature [°F]	-30 to 300	-30 to 220	-30 to 220
Max. circumferential speed	same as bearing	same as bearing	limited
Misalignment [°]	0.3	0.3	0.3
Low friction	++	++	+
Axial shaft displacement	++	+	-
Vertical arrangement	-	-	++
Grease relubrication	+	+	+
Oil lubrication	-	-	++
Replacement	-	-	-

Sealing suitability

Dust	-	-	+
Fine particles	-	-	+
Coarse particles	+	+	+
Chips	+	+	-
Liquids when sprayed	--	--	-
Direct sunlight	+	+	+

Symbols: n/a not applicable, ++ very suitable, + suitable, - limited suitability, -- unsuitable

Table 1



Contact	Taconite	Taconite (V-ring seal)	End plug
B-9784	TER	TER V	EPR
nitrile rubber	steel, felt and nitrile rubber	steel, felt and nitrile rubber	steel and nitrile rubber
-30 to 220	-30 to 220	-30 to 220	-30 to 220
limited	limited	limited	n/a
0.1	0.1	0.5	n/a
-	--	--	n/a
+	+	-	n/a
++	++	++	++
+	++	++	n/a
++	+	+	++
+	+	+	+
+	++	++	+
+	++	++	+
+	++	++	+
-	++	++	-
-	+	+	+
+	+	+	+

Split pillow blocks SAF and SAW series

Seal chart for SAF and SAW housings

Shaft diameter	d _a 0(00)	d _a 5(00)	d _a 6(00)	d _b 2(00)	d _c 2(00)	d _b 3(00)	d _c 3(00)	Labyrinth seal ¹⁾ Ring seal	O-ring for LOR ²⁾
	Series	Series	Series	Series	Series	Series	Series		
in.	-								
1 1/8		507						LER-13	-
1 3/16		507*						LER-14	-
1 1/4		507						LER-15	-
1 3/8		509	609					LER-16	-
1 7/16		509*	609*				308*	LER-17	-
1 1/2		509	609					LER-18	-
1 5/8		510	610					LER-19	-
1 11/16		510*	610*				309*	LER-20	-
1 3/4		510	610					LER-21	-
1 13/16		511	611					LER-22	-
1 7/8		511	611				310*	LER-23	-
1 15/16		511*	611*			308*		LER-24	-
2		511	611					LER-25	-
2		513						LER-26	-
2 1/16		513					311*	LER-27	-
2 1/8		513				309*		LER-28	-
2 1/8			613				312	LOR-31	AS-568-034
2 3/16		513*						LER-29	-
2 3/16			613*				312	LOR-32	AS-568-035
2 1/4		513						LER-30	-
2 1/4			613				312*	LOR-33	AS-568-035
2 5/16				210		310		LER-34	-
2 3/8				210		310*		LER-35	-
2 3/8		515	615		213		313	LOR-36	AS-568-036
2 7/16		515*	615*		213*		313*	LOR-37	AS-568-037
2 1/2						311		LER-39	-
2 1/2		515	615		213		313	LOR-38	AS-568-037
2 9/16						311*		LER-40	-
2 9/16		516	616				314	LOR-42	AS-568-038
2 5/8						311		LER-41	-
2 5/8		516	616				314*	LOR-43	AS-568-038
2 11/16		516*	616*				314	LOR-44	AS-568-039
2 3/4		516	616				314	LOR-45	AS-568-039
2 13/16			617					LOR-182	AS-568-149
2 13/16					215*	312	315*	LOR-46	AS-568-040
2 13/16		517		213	216	313		LOR-51	AS-568-040
2 3/16							316	LOR-57	AS-568-150
2 7/8			617					LOR-183	AS-568-150
2 7/8					215	312*	315	LOR-47	AS-568-040
2 7/8		517		213	216	313		LOR-52	AS-568-040
2 7/8							316	LOR-58	AS-568-150
2 15/16			617*					LOR-184	AS-568-151

The table continues on next spread.

* = Standard shaft diameter, all others are optional shaft diameters

1) Speed rating is the same as bearing speed rating

2) O-ring supplied with LOR is for replacement only, AS-568-### are industry standard O-rings available at most SKF authorized distributors

Table 2

Contact seal ³⁾	Speed limit ⁴⁾	Taconite seals with contact seal ⁵⁾	with V-ring seal	Speed limit ⁴⁾	End plug
	r/min	-		r/min	-
-	-	TER-13	TER-13 V	2 250	EPR-2
-	-	TER-14	TER-14 V	2 250	EPR-2
-	-	TER-15	TER-15 V	2 250	EPR-2
-	-	TER-16	TER-16 V	2 175	EPR-3
B-9784-12	3 800	TER-17	TER-17 V	2 175	EPR-3
-	-	TER-18	TER-18 V	2 175	EPR-3
-	-	TER-19	TER-19 V	1 800	EPR-4
B-9784-15	3 400	TER-20	TER-20 V	1 800	EPR-4
-	-	TER-21	TER-21 V	1 800	EPR-4
-	-	TER-22	TER-22 V	1 575	EPR-5
-	-	TER-23	TER-23 V	1 575	EPR-5
B-9784-19	2 950	TER-24	TER-24 V	1 575	EPR-5
-	-	TER-25	TER-25 V	1 575	EPR-5
B-9784-21	2 950	TER-26	TER-26 V	1 450	EPR-6
-	-	TER-27	TER-27 V	1 450	EPR-6
-	-	TER-28	TER-28 V	1 450	EPR-6
B-10724-32	2 600	TER-31	TER-31 V	1 400	EPR-7
B-9784-24	2 600	TER-29	TER-29 V	1 400	EPR-6
B-10724-32	2 600	TER-32	TER-32 V	1 400	EPR-7
-	-	TER-30	TER-30 V	1 400	EPR-6
B-10724-32	2 600	TER-33	TER-33 V	1 075	EPR-7
-	-	TER-34	TER-34 V	1 300	-
-	-	TER-35	TER-35 V	1 300	-
B-10724-37	2 350	TER-36	TER-36 V	1 250	EPR-7
B-10724-37	2 350	TER-37	TER-37 V	1 250	EPR-7
B-9784-37	-	TER-39	TER-39 V	1 250	-
B-10724-37	2 350	TER-38	TER-38 V	1 250	EPR-7
B-9784-35	-	TER-40	TER-40 V	1 200	-
B-10724-44	2 150	TER-42	TER-42 V	1 150	EPR-8
-	-	TER-41	TER-41 V	1 150	-
B-10724-44	2 150	TER-43	TER-43 V	1 150	EPR-8
B-10724-44	2 150	TER-44	TER-44 V	1 150	EPR-8
B-10724-44	2 150	TER-45	TER-45 V	1 150	EPR-8
B-10724-184	1 950	TER-182	TER-182 V	1 050	EPR-10
B-10724-44	2 150	TER-46	TER-46 V	900	EPR-8
B-10724-53	1 950	TER-51	TER-51 V	1 050	EPR-9
B-10724-184	1 900	TER-57	TER-57 V	850	EPR-10
B-10724-184	1 950	TER-183	TER-183 V	1 050	EPR-10
B-10724-44	2 150	TER-47	TER-47 V	1 075	EPR-8
B-10724-53	1 950	TER-52	TER-52 V	1 050	EPR-9
B-10724-184	1 900	TER-58	TER-58 V	850	EPR-10
B-10724-184	1 950	TER-184	TER-184 V	1 050	EPR-10

³⁾ B-10724-### 's are the SKF PosiTrac Plus seal and require the LOR

⁴⁾ For stepped shaft housing designs, the largest shaft diameter is the speed limit

⁵⁾ Most taconite seals and all V-ring versions are made to order, contact SKF for availability

Split pillow blocks SAF and SAW series

Seal chart for SAF and SAW housings

Shaft diameter	d _a 0(00)	d _a 5(00)	d _a 6(00)	d _b 2(00)	d _c 2(00)	d _b 3(00)	d _c 3(00)	Labyrinth seal ¹⁾ Ring seal	O-ring for LOR ²⁾
	Series	Series	Series	Series	Series	Series	Series		
in.	-								
2 ¹⁵ / ₁₆ 2 ¹⁵ / ₁₆ 3		517*		213	216	313		LOR-53 LOR-59 LOR-185	AS-568-141 AS-568-151 AS-568-151
3 3 3 ¹ / ₁₆		517 518		213	216*	313		LOR-54 LOR-60 LOR-186	AS-568-041 AS-568-151 38309-186
3 ¹ / ₁₆ 3 ¹ / ₁₆ 3 ¹ / ₈			618	213*	216 217	313*		LOR-55 LOR-61 LOR-187	38309-55 38309-61 AS-568-152
3 ¹ / ₈ 3 ¹ / ₈ 3 ³ / ₁₆		518*	618*	213	216 217	313 314		LOR-56 LOR-62 LOR-188	AS-568-042 AS-568-042 AS-568-152
3 ³ / ₁₆ 3 ¹ / ₄ 3 ¹ / ₄		518	618		217*	314		LOR-63 LOR-189 LOR-64	AS-568-042 AS-568-152 AS-568-042
3 ⁵ / ₁₆ 3 ⁵ / ₁₆ 3 ⁵ / ₁₆		520	620		220 217 218			LOR-100 LOR-65 LOR-190	38309-100 38309-65 38309-190
3 ³ / ₈ 3 ³ / ₈ 3 ³ / ₈				215/216	217 220	315		LOR-78 LOR-66 LOR-101	AS-568-043 AS-568-043 AS-568-153
3 ³ / ₈ 3 ⁷ / ₁₆ 3 ⁷ / ₁₆		520*	620*	215*/216	220	315*		LOR-191 LOR-79 LOR-102	AS-568-153 AS-568-043 AS-568-153
3 ¹ / ₂ 3 ¹ / ₂ 3 ⁹ / ₁₆		520	620	215/216	220	315		LOR-80 LOR-103 LOR-81	AS-568-043 AS-568-153 38309-81
3 ⁹ / ₁₆ 3 ⁵ / ₈ 3 ⁵ / ₈				215/216*		316 315 316*		LOR-83 LOR-82 LOR-84	38309-83 AS-568-044 AS-568-154
3 ¹¹ / ₁₆ 3 ¹¹ / ₁₆ 3 ³ / ₄						316 316		LOR-85 LOR-104 LOR-86	AS-568-154 AS-568-154 AS-568-154
3 ³ / ₄ 3 ¹³ / ₁₆ 3 ¹³ / ₁₆					320*	316 220*		LOR-105 LOR-87 LOR-106	AS-568-154 38309-87 38309-106
3 ¹³ / ₁₆ 3 ⁷ / ₈ 3 ⁷ / ₈		522	622			317		LOR-107 LOR-108 LOR-88	38309-107 AS-568-155 AS-568-045
3 ¹⁵ / ₁₆ 3 ¹⁵ / ₁₆ 4		522*	622*		217*	317*		LOR-109 LOR-89 LOR-110	AS-568-155 AS-568-045 AS-568-155

The table continues on next spread.

* = Standard shaft diameter, all others are optional shaft diameters

1) Speed rating is the same as bearing speed rating

2) O-ring supplied with LOR is for replacement only, AS-568-### are industry standard O-rings available at most SKF authorized distributors

cont. Table 2

Contact seal	Speed limit ⁴⁾	Taconite seals with contact seal ⁵⁾	with V-ring seal	Speed limit ⁴⁾	End plug
	r/min	–		r/min	–
B-10724-53	1950	TER-53	TER-53 V	1 050	EPR-9
B-10724-184	1900	TER-59	TER-59 V	850	EPR-10
B-10724-184	1950	TER-185	TER-185 V	1 050	EPR-10
B-10724-53	1950	TER-54	TER-54 V	850	EPR-9
B-10724-184	1900	TER-60	TER-60 V	850	EPR-10
B-10724-188	1800	TER-186	TER-186 V	950	EPR-11
B-10724-53	1950	TER-55	TER-55 V	1 000	EPR-9
B-10724-64	1450	TER-61	TER-61 V	775	EPR-9
B-10724-188	1800	TER-187	TER-187 V	950	EPR-11
B-10724-53	1950	TER-56	TER-56 V	1 000	EPR-9
B-10724-64	1450	TER-62	TER-62 V	775	EPR-9
B-10724-188	1800	TER-188	TER-188 V	950	EPR-11
B-10724-64	1450	TER-63	TER-63 V	775	EPR-9
B-10724-188	1800	TER-189	TER-189 V	950	EPR-11
B-10724-64	1450	TER-64	TER-64 V	925	EPR-9
B-10724-102	1650	TER-100	TER-100 V	900	EPR-12
B-10724-64	1450	TER-65	TER-65 V	775	EPR-9
B-10724-188	1800	TER-190	TER-190 V	750	EPR-11
B-10724-79	1650	TER-78	TER-78 V	900	–
B-10724-64	1450	TER-66	TER-66 V	775	EPR-9
B-10724-102	1650	TER-101	TER-101 V	900	EPR-12
B-10724-188	1800	TER-191	TER-191 V	750	EPR-11
B-10724-79	1450	TER-79	TER-79 V	900	–
B-10724-102	1650	TER-102	TER-102 V	900	EPR-12
B-10724-79	1450	TER-80	TER-80 V	900	–
B-10724-102	1650	TER-103	TER-103 V	900	EPR-12
B-10724-79	1450	TER-81	TER-81 V	900	–
B-10724-106	1275	TER-83	TER-83 V	850	EPR-12
B-10724-79	1450	TER-82	TER-82 V	850	–
B-10724-106	1275	TER-84	TER-84 V	850	EPR-12
B-10724-106	1275	TER-85	TER-85 V	850	EPR-12
B-10724-106	1275	TER-104	TER-104 V	675	EPR-12
B-10724-106	1275	TER-86	TER-86 V	850	EPR-12
B-10724-106	1275	TER-105	TER-105 V	675	EPR-12
B-10724-106	1275	TER-87	TER-87 V	850	EPR-12
B-10724-106	1275	TER-106	TER-106 V	675	EPR-12
B-10724-109	1450	TER-107	TER-107 V	775	EPR-13
B-10724-109	1450	TER-108	TER-108 V	775	EPR-13
B-10724-89	1450	TER-88	TER-88 V	775	–
B-10724-109	1450	TER-109	TER-109 V	775	EPR-13
B-10724-89	1450	TER-89	TER-89 V	775	–
B-10724-109	1450	TER-110	TER-110 V	775	EPR-13

³⁾ B-10724-### 's are the SKF PosiTrac Plus seal and require the LOR

⁴⁾ For stepped shaft housing designs, the largest shaft diameter is the speed limit

⁵⁾ Most taconite seals and all V-ring versions are made to order, contact SKF for availability

Split pillow blocks SAF and SAW series

Seal chart for SAF and SAW housings

Shaft diameter	d _a 0(00)	d _a 5(00)	d _a 6(00)	d _b 2(00)	d _c 2(00)	d _b 3(00)	d _c 3(00)	Labyrinth seal ¹⁾ Ring seal	O-ring for LOR ²⁾
	Series	Series	Series	Series	Series	Series	Series		
in.	–								
4				217				LOR-90	AS-568-045
4 1/16	024	524	624	218	222	318	322	LOR-111	38309-111
4 1/8	024	524	624	218*	222	318*	322	LOR-112	AS-568-156
4 3/16	024*	524*	624*	218	222*	318	322*	LOR-113	AS-568-156
4 1/4	024	524	624	218	222	318	322	LOR-114	AS-568-156
4 5/16	026	526	626	220	224	320	324	LOR-115	38309-115
4 3/8	026	526	626	220	224	320	324	LOR-116	AS-568-157
4 7/16	026*	526*	626*	220	224	320	324	LOR-117	AS-568-157
4 1/2	026	526	626	220*	224	320*	324	LOR-118	AS-568-157
4 9/16				220	224*	320	324*	LOR-119	38309-119
4 13/16	028	528	628	222	226	322	326	LOR-120	38309-120
4 7/8	028	528	628	222*	226	322*	326	LOR-121	AS-568-159
4 15/16	028*	528*	628*	222	226*	322	326*	LOR-122	AS-568-159
5 1/8	030	530	630	224	228	324	328	LOR-124	AS-568-160
5 3/16	030*	530*	630*	224	228	324	328	LOR-125	AS-568-160
5 1/4	030	530	630	224	228	324	328	LOR-126	AS-568-160
5 5/16	030			224*	228*	324*	328*	LOR-127	38309-127
5 3/8	30			224	228	324	328	LOR-128	AS-568-161
5 3/8	032	532	632					LOR-129	AS-568-253
5 7/16	032*	532*	632*					LOR-130	AS-568-254
5 1/2	032	532	632					LOR-131	AS-568-254
5 5/8				226	230	326	330	LOR-132	AS-568-162
5 11/16				226	230	326	330	LOR-133	AS-568-162
5 3/4				226	230*	326	330*	LOR-134	AS-568-162
5 13/16	034	534	634		232		332	LOR-138	AS-568-257
5 13/16				226	230	326	330	LOR-135	38309-135
5 7/8	034	534	634		232		332	LOR-139	AS-568-257
5 7/8				226*	230	326*	330	LOR-136	AS-568-163
5 15/16	034*	534*	634*		232		332	LOR-140	AS-568-258
5 15/16				226	230	326	330	LOR-137	AS-568-163
6	034	534	634		232		332	LOR-141	AS-568-258
6 1/16					232*		332*	LOR-142	38309-142
6 3/16				228		328		LOR-143	AS-568-164
6 1/4				228*		328*		LOR-144	AS-568-164
6 5/16				228		328		LOR-145	38309-145
6 5/16	036	536			234		334	LOR-146	38309-146
6 3/8	036	536			234		334	LOR-147	AS-568-260
6 7/16	036*	536*			234		334*	LOR-148	AS-568-260
6 1/2	036	536			234		334	LOR-149	AS-568-260
6 9/16				230		330		LOR-150	38309-150

The table continues on next spread.

* = Standard shaft diameter, all others are optional shaft diameters

1) Speed rating is the same as bearing speed rating

2) O-ring supplied with LOR is for replacement only, AS-568-### are industry standard O-rings available at most SKF authorized distributors

cont. Table 2

Contact seal	Speed limit ⁴⁾	Taconite seals with contact seal ⁵⁾	with V-ring seal	Speed limit ⁴⁾	End plug
	r/min	–		r/min	–
B-10724-89	1 450	TER-90	TER-90 V	775	–
B-10724-113	1 350	TER-111	TER-111 V	750	EPR-14
B-10724-113	1 350	TER-112	TER-112 V	750	EPR-14
B-10724-113	1 350	TER-113	TER-113 V	725	EPR-14
B-10724-113	1 350	TER-114	TER-114 V	725	EPR-14
B-10724-117	1 300	TER-115	TER-115 V	700	EPR-15
B-10724-117	1 300	TER-116	TER-116 V	700	EPR-15
B-10724-117	1 300	TER-117	TER-117 V	700	EPR-15
B-10724-117	1 300	TER-118	TER-118 V	675	EPR-15
B-10724-117	1 300	TER-119	TER-119 V	675	EPR-15
B-10724-122	1 150	TER-120	TER-120 V	625	EPR-27
B-10724-122	1 150	TER-121	TER-121 V	625	EPR-27
B-10724-122	1 150	TER-122	TER-122 V	625	EPR-27
B-10724-125	1 075	TER-124	TER-124 V	590	EPR-16
B-10724-125	1 075	TER-125	TER-125 V	590	EPR-16
B-10724-125	1 075	TER-126	TER-126 V	575	EPR-16
B-10724-125	1 075	TER-127	TER-127 V	575	EPR-16
B-10724-125	1 075	TER-128	TER-128 V	575	EPR-16
B-10724-130	1 050	TER-129	TER-129 V	560	EPR-16
B-10724-130	1 050	TER-130	TER-130 V	560	EPR-16
B-10724-130	1 050	TER-131	TER-131 V	560	EPR-16
B-10724-134	850	TER-132	TER-132 V	460	EPR-17
B-10724-134	850	TER-133	TER-133 V	460	EPR-17
B-10724-134	850	TER-134	TER-134 V	460	EPR-17
B-10724-140	950	TER-138	TER-138 V	520	EPR-18
B-10724-134	850	TER-135	TER-135 V	520	EPR-17
B-10724-140	950	TER-139	TER-139 V	520	EPR-18
B-10724-134	850	TER-136	TER-136 V	520	EPR-17
B-10724-140	950	TER-140	TER-140 V	520	EPR-18
B-10724-134	850	TER-137	TER-137 V	520	EPR-17
B-10724-140	950	TER-141	TER-141 V	500	EPR-18
B-10724-140	950	TER-142	TER-142 V	500	EPR-18
B-10724-144	925	TER-143	TER-143 V	490	–
B-10724-144	925	TER-144	TER-144 V	490	–
B-10724-144	925	TER-145	TER-145 V	490	–
B-10724-148	875	TER-146	TER-146 V	460	EPR-19
B-10724-148	875	TER-147	TER-147 V	460	EPR-19
B-10724-148	875	TER-148	TER-148 V	460	EPR-19
B-10724-148	875	TER-149	TER-149 V	460	EPR-19
B-10724-151	850	TER-150	TER-150 V	460	–

³⁾ B-10724-###'s are the SKF PosiTrac Plus seal and require the LOR

⁴⁾ For stepped shaft housing designs, the largest shaft diameter is the speed limit

⁵⁾ Most taconite seals and all V-ring versions are made to order, contact SKF for availability

Split pillow blocks SAF and SAW series

Seal chart for SAF and SAW housings

Shaft diameter	d _a 0(00)	d _a 5(00)	d _a 6(00)	d _b 2(00)	d _c 2(00)	d _b 3(00)	d _c 3(00)	Labyrinth seal ¹⁾ Ring seal	O-ring for LOR ²⁾
	Series	Series	Series	Series	Series	Series	Series		
in.	-								
6 5/8				230*		330*		LOR-151	AS-568-166
6 11/16				230		330		LOR-152	AS-568-166
6 13/16	038	538	638	232	236	332		LOR-153	38309-153
6 7/8	038	538	638	232	236*	332		LOR-154	AS-568-262
6 15/16	038*	538*	638*	232	236	332		LOR-155	AS-568-262
7	038	538	638	232*	236	332*		LOR-156	AS-568-262
7 1/16				232	236	332		LOR-157	38309-157
7 1/8	040	540	640		238		338	LOR-158	AS-568-263
7 3/16	040*	540*	640*		238		338	LOR-159	AS-568-263
7 1/4	040	540	640		238*		338*	LOR-160	AS-568-263
7 7/16				234*	240	334*	340	LOR-161	AS-568-264
7 1/2				234	240	334	340	LOR-162	AS-568-264
7 9/16				234	240	334	340	LOR-163	AS-568-265
7 5/8				234	240*	334	340*	LOR-164	AS-568-265
7 13/16	044	544		236*				LOR-165	AS-568-266
7 7/8	044	544		236				LOR-166	AS-568-266
7 15/16	044*	544*		236				LOR-167	AS-568-266
8	044	544		236				LOR-168	AS-568-266
8 1/4				238	244	338		LOR-169	AS-568-267
8 5/16				238	244*	338		LOR-170	AS-568-268
8 3/8				238*	244	338*		LOR-171	AS-568-268
8 7/16				238	244	338		LOR-172	AS-568-268
8 7/16	048							LOR-550	AS-568-268
8 1/2				238	244	338		LOR-173	AS-568-268
8 1/2	048							LOR-551	AS-568-268
8 11/16				240		340		LOR-174	AS-568-269
8 3/4				240*		340*		LOR-175	AS-568-269
8 13/16				240		340		LOR-176	AS-568-270
8 7/8				240		340		LOR-177	AS-568-270
8 15/16	048*							LOR-552	AS-568-270
9	048							LOR-513	AS-568-270
9 7/16	052*							LOR-553	AS-568-272
9 1/2	052			244				LOR-178	AS-568-272
9 9/16				244*				LOR-179	AS-568-273
9 5/8				244				LOR-180	AS-568-273
9 11/16				244				LOR-181	AS-568-273
9 15/16	056*							LOR-607	AS-568-274
10	056							LOR-568	AS-568-274
10 7/16	056*							LOR-606	AS-568-275
10 1/2	056							LOR-519	AS-568-275

* = Standard shaft diameter, all others are optional shaft diameters

1) Speed rating is the same as bearing speed rating

2) O-ring supplied with LOR is for replacement only, AS-568-### are industry standard O-rings available at most SKF authorized distributors

cont. Table 2

Contact seal	Speed limit ⁴⁾	Taconite seals with contact seal ⁵⁾	with V-ring seal	Speed limit ⁴⁾	End plug
	r/min	–		r/min	–
B-10724-151	850	TER-151	TER-151 V	460	–
B-10724-151	850	TER-152	TER-152 V	460	–
B-10724-155	825	TER-153	TER-153 V	440	EPR-20
B-10724-155	825	TER-154	TER-154 V	440	EPR-20
B-10724-155	825	TER-155	TER-155 V	440	EPR-20
B-10724-155	825	TER-156	TER-156 V	440	EPR-20
B-10724-155	825	TER-157	TER-157 V	440	EPR-20
B-10724-159	800	TER-158	TER-158 V	425	EPR-21
B-10724-159	800	TER-159	TER-159 V	425	EPR-21
B-10724-159	800	TER-160	TER-160 V	425	EPR-21
B-10724-161	650	TER-161	TER-161 V	410	EPR-22
B-10724-161	650	TER-162	TER-162 V	410	EPR-22
B-10724-161	650	TER-163	TER-163 V	410	EPR-22
B-10724-161	650	TER-164	TER-164 V	390	EPR-22
B-10724-167	725	TER-165	TER-165 V	390	EPR-23
B-10724-167	725	TER-166	TER-166 V	390	EPR-23
B-10724-167	725	TER-167	TER-167 V	385	EPR-23
B-10724-167	725	TER-168	TER-168 V	385	EPR-23
B-10724-170	600	TER-169	TER-169 V	365	EPR-24
B-10724-170	600	TER-170	TER-170 V	365	EPR-24
B-10724-170	600	TER-171	TER-171 V	365	EPR-24
B-10724-170	600	TER-172	TER-172 V	365	EPR-24
B-10724-552	680	TER-550	TER-550 V	360	X-5217-4
B-10724-170	600	TER-173	TER-173 V	360	EPR-24
B-10724-552	680	TER-551	TER-551 V	360	X-5217-4
B-10724-175	650	TER-174	TER-174 V	350	EPR-25
B-10724-175	650	TER-175	TER-175 V	350	EPR-25
B-10724-175	650	TER-176	TER-176 V	350	EPR-25
B-10724-175	650	TER-177	TER-177 V	350	EPR-25
B-10724-552	640	TER-552	TER-552 V	340	X-5217-4
B-10724-552	640	TER-513	TER-513 V	340	X-5217-4
B-10724-178	600	TER-553	TER-553 V	325	X-5217-2
B-10724-178	600	TER-178	TER-178 V	320	X-5217-2
B-10724-178	600	TER-179	TER-179 V	315	X-5217-2
B-10724-178	600	TER-180	TER-180 V	315	X-5217-2
B-10724-178	600	TER-181	TER-181 V	315	X-5217-2
B-10724-607	575	TER-607	TER-607 V	310	X-5217-2
B-10724-607	575	TER-568	TER-568 V	305	X-5217-2
B-10724-606	550	TER-606	TER-606 V	295	X-5217-1
B-10724-606	550	TER-519	TER-519 V	290	X-5217-1

³⁾ B-10724-###'s are the SKF PosiTrac Plus seal and require the LOR

⁴⁾ For stepped shaft housing designs, the largest shaft diameter is the speed limit

⁵⁾ Most taconite seals and all V-ring versions are made to order, contact SKF for availability

Labyrinth seals

Labyrinth seals are the standard sealing solution for SAF and SAW housings. They are available in two variants depending on housing size:

- Labyrinth seals with the designation LER, also called triple ring seals, are supplied standard with small SAF housings (shaft diameter $\leq 2 \frac{5}{8}$ inch). The rings form a multistage labyrinth seal with the housing seal grooves. If operating conditions warrant it, the sealing effect can be enhanced by filling the cavity between the housing and seal ring with grease.
- PosiTrac labyrinth seals, designation LOR, are supplied standard with larger SAF (shaft diameter $\geq 2 \frac{1}{8}$ inch) and all SAW housings. These seals have an additional O-ring made of acrylonitrile-butadiene rubber (NBR) to make the labyrinth ring rotate with the shaft.

Labyrinth rings with an internal contact element

PosiTrac Plus seals consist of a PosiTrac labyrinth ring (designation LOR) and a contact element made of acrylonitrile-butadiene rubber (NBR). The labyrinth ring is located on the shaft and held in place by an O-ring. The contact element is located in the seal groove in the housing. It can be mounted either for best contaminant exclusion or for best lubricant retention (→ fig. 6). When the contact element

is mounted for best contaminant exclusion, the sealing effect can be enhanced by filling the seal cavity with grease. The designation for the contact element is B 10724 followed by a size code, for example B 10724-122.

Taconite heavy-duty seals

Taconite seals consist of an inboard felt seal, a grease cavity and an outboard seal that is available in two designs:

- Seals in the TER series have a split contact seal.
- Seals in the TER-V series have a V-ring seal.

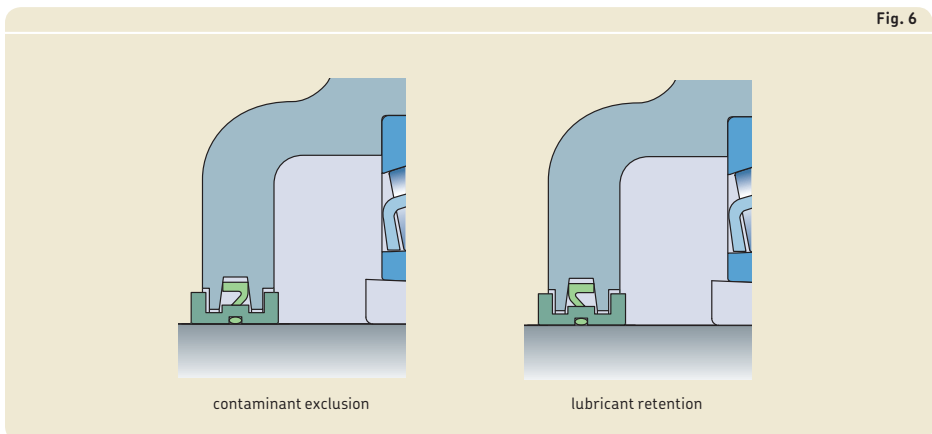
To further protect against the ingress of contaminants, SKF taconite seals have a grease fitting to purge grease and any trapped contaminants from the seal cavity, through the outboard seal.

Contact seals

Contact seals are solid seals that fit into the seal groove. Contact seals are available for smaller housing sizes (SAF 513 and smaller) where PosiTrac Plus seals are not available. The designation for contact seals is B 9784 followed by a size code, e.g. B 9784-15.

End plugs

Housings at the end of a shaft should have an end plug (end cover) that fits into the seal



groove in the housing. The plug consists of a metal plate with a strip made of acrylonitrile-butadiene rubber (NBR). Details of the permissible length of the shaft end are listed in the product tables. End plugs are identified by the designation EPR, followed by a size code, for example EPR 7.

Using sealed bearings

Using sealed bearings in housings with standard seals is a good solution for highly contaminated environments. The sealed bearing together with the housing seal and grease provide three layers of protection (→ *SKF three-barrier solution*, **page 39**).

SAF housings for sealed spherical roller bearings are identified by the designation SAF 5(00) W. Complete pillow blocks are identified by the designation SAF B225(00). For additional information, contact the SKF application engineering service.

When using taconite heavy-duty seals, a sealed bearing does not enhance the sealing effect during operation, but still protects the bearing against contaminants during mounting.

Special seals

In addition to the standard seal assortment, SAF and SAW pillow (plummer) block housings are available, on request, with high-temperature contact seals or high-speed contact seals.

High-temperature seals

High-temperature contact seals (designation LORP) consist of a PTFE labyrinth ring with an FKM (fluoro rubber) O-ring and a PTFE contact element. The PTFE contact element is available separately (designation B-10785). High-temperature seals can accommodate operating temperatures up to 400 °F. The limiting speed for the bearing can be attained.

High-speed seals

High-speed contact seals consist of an aluminium labyrinth ring with an NBR O-ring (designation LOR) and a PTFE contact element (designation B-10785). With PTFE contact elements, the limiting speed for the bearing can be attained.

WARNING!

Seals made of FKM (fluoro rubber) exposed to an open flame or temperatures above 570 °F are a health and environmental hazard! Contact SKF for detailed safety instructions.

Design considerations

For general information about system design, refer to the following sections:

- *Typical shaft-bearing combinations* (→ page 41)
- *Locating/non-locating bearing systems* (→ page 40)
- *Load carrying ability* (→ page 44)
- *Axial load carrying ability for bearings on sleeves* (→ page 44)
- *Specifications for shafts and housing support surfaces* (→ page 45)

For additional information about rolling bearings and adapter sleeves, refer to the product information available online at skf.com/bearings.

Typical shaft-bearing combinations

SAF and SAW pillow (plummer) block housings can accommodate different shaft-bearing combinations (→ fig. 7):

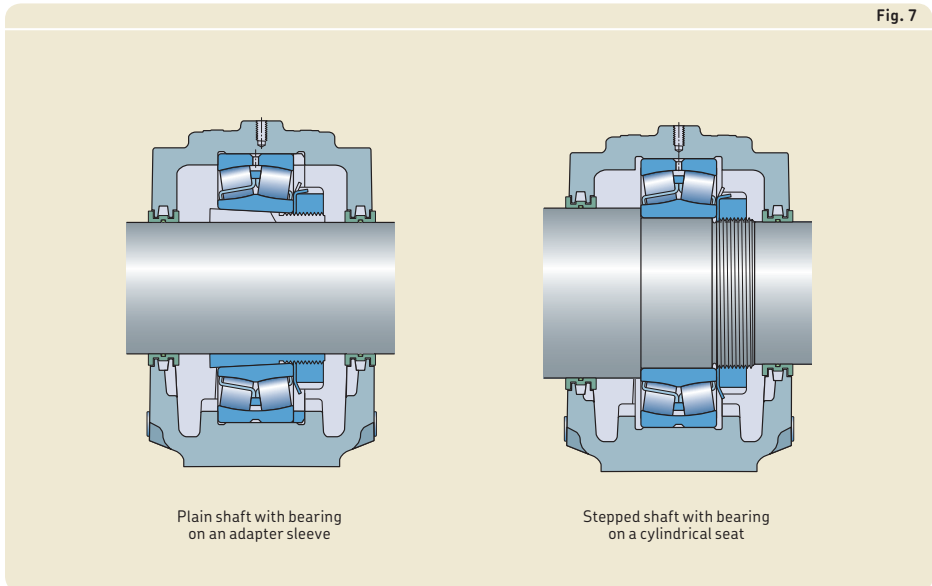
- Plain shaft with bearing on an adapter sleeve
- Stepped shaft with bearing on a cylindrical seat

Plain shaft with bearing on an adapter sleeve

SAF pillow blocks in the 15, 16, 225, 226, 230, C25, C26 and C30 series and SAW pillow blocks in the 235 series accommodate bearings on an adapter sleeve on plain shafts. Housings, appropriate parts and dimensions are listed in **product tables 8.1** (→ page 418), **8.2** (→ page 424) and **8.3** (→ page 430).

Stepped shaft with bearing on a cylindrical seat

SAF pillow blocks in the 13, 222, 223, C22 and C23 series and SAW pillow blocks in the 232 series accommodate bearings on a cylindrical seat on stepped shafts. Housings, appropriate parts and dimensions are listed in the **product tables 8.4** (→ page 434), **8.5** (→ page 436) and **8.6** (→ page 444).



Locating and non-locating bearing positions

SAF and SAW housings can be used for both the locating and non-locating bearing position.

The housings are machined standard for bearings in the non-locating position. Bearings in the locating position as well as CARB toroidal roller bearings must be secured in the housing with one or two stabilizing (locating) rings. Appropriate stabilizing rings are listed in the product tables.

Load carrying ability

SAF and SAW housings are intended for loads acting perpendicularly toward the support surface. If the housing is supported over its entire base and the loads are purely perpendicular, loads are limited only by the bearing.

If loads acting in other directions occur, check that the magnitude of the load is permissible for the housing and the attachment bolts. Guideline values for the safe loads of the housings are provided in **tables 3 to 5** on **pages 404 to 407**. The safe loads have been calculated using a safety factor of 5 against fracture and a factor of 2 against cap bolt yield. For housings made of spheroidal graphite cast iron the values obtained from **table 3** on **page 404** should be multiplied by a factor of 1,8.

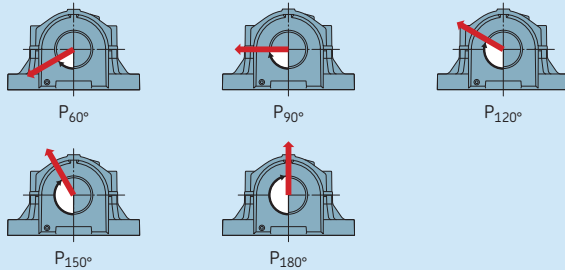
If the housing is not supported over its entire base, the load carrying ability for vertical loads may be affected. For additional information, contact the SKF application engineering service.

For a purely axial force, static or dynamic, the permissible load on the pillow block housing should not exceed 65% of P_{180° . If the incorporated bearing is mounted on a sleeve, check the permissible axial load for the sleeve.

When housings are subjected to cyclic loads or dynamic imbalance, contact the SKF application engineering service.

Table 3

Safe loads and cap bolt information for SAF cast iron housings



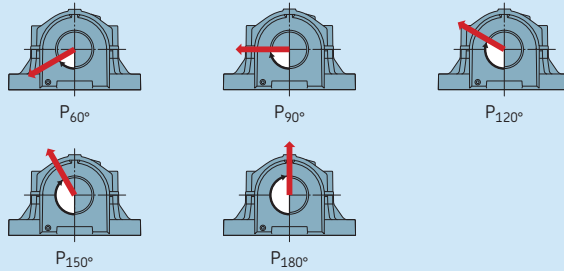
Housing Size		Recommended safe loads					Cap bolt (no.) Size	Torque	SAE grade
		P _{60°}	P _{90°}	P _{120°}	P _{150°}	P _{180°}			
-		lb.					in.	ft.-lbs.	
308	509	4 700	2 800	1 700	1 500	1 800	(2) 7/16-14	45	5
	510	7 300	4 400	2 800	2 500	3 100	(2) 1/2-13	110	8
		6 500	3 900	2 500	2 200	2 800	(2) 7/16-14	45	5
309	609	7 900	4 700	3 000	2 700	3 300	(2) 1/2-13	110	8
310	511	10 100	6 100	3 900	3 500	4 300	(2) 1/2-13	60	5
	610	8 800	5 300	3 200	2 900	3 500	(2) 1/2-13	110	8
311	513	11 300	6 800	4 000	3 600	4 300	(2) 1/2-13	60	5
	611	9 700	5 800	3 600	3 300	4 000	(2) 1/2-13	110	8
*311	*611	8 000	4 800	3 000	2 700	3 200	(2) 1/2-13	110	8
312	515	11 100	6 700	4 100	3 700	4 500	(2) 1/2-13	110	8
	*312	9 500	5 700	3 500	3 100	3 800	(2) 1/2-13	110	8
		17 000	10 200	6 300	5 700	6 800	(2) 1/2-13	60	5
	*515	12 200	7 300	4 500	4 100	5 000	(2) 1/2-13	60	5
313	613	18 700	11 200	6 800	6 000	7 100	(2) 5/8-11	220	8
	*313	*613	13 600	8 100	4 900	4 400	(2) 5/8-11	220	8
216	516	18 700	11 200	6 800	6 000	7 100	(2) 5/8-11	110	5
	*216	*516	13 600	8 100	4 900	4 400	(2) 5/8-11	110	5
314	517	20 800	12 500	7 800	6 900	8 500	(2) 5/8-11	220	8
	*314	*517	13 800	8 300	5 200	4 700	(2) 5/8-11	110	5
217	518	20 800	12 500	7 800	6 900	8 500	(2) 5/8-11	220	8
	*217	*518	19 000	11 400	7 100	6 400	(2) 5/8-11	110	5
		13 800	8 300	5 200	4 700	5 700	(2) 5/8-11	110	5
218	518	27 200	16 300	10 200	9 100	11 200	(2) 5/8-11	110	5
	*218	*518	22 800	13 700	8 600	7 800	(2) 5/8-11	110	5
	615	27 200	16 300	10 200	9 100	11 200	(2) 5/8-11	220	8
*315	*615	22 800	13 700	8 600	7 800	9 500	(2) 5/8-11	220	8
316	616	19 300	11 600	7 200	6 500	7 800	(2) 3/4-10	380	8
*316	*616	20 800	12 500	7 600	6 900	8 300	(2) 3/4-10	380	8

continues on next page

* When the bearing housing can be supplied with either a two- or four-bolt base, the asterisk allowable loads for the four-bolt base option

cont. Table 3

Safe loads and cap bolt information for SAF cast iron housings

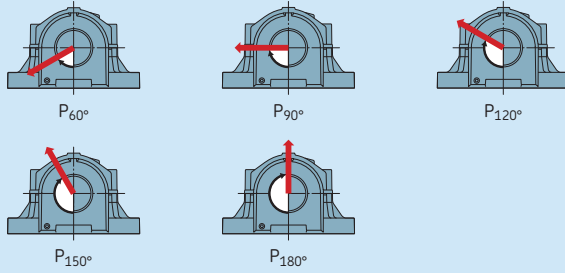


Housing Size	Recommended safe loads					Cap bolt (no.)	Size	Torque	SAE grade		
	P _{60°}	P _{90°}	P _{120°}	P _{150°}	P _{180°}						
		lbf.					in.	ft.-lbs.			
024	220	317	617	21 200	12 700	8 000	7 200	8 600	(2) 3/4-10	380	8
		*317	*617	23 300	14 000	8 800	8 000	9 600	(2) 3/4-10	380	8
*024	*220	520	618	30 500	18 300	11 400	10 400	12 500	(2) 3/4-10	150	5
		318	618	28 800	17 300	11 000	10 000	12 200	(2) 3/4-10	380	8
026	222	522	624	33 400	20 000	12 500	11 400	13 700	(2) 3/4-10	150	5
028	224	524	620	41 700	25 000	16 300	15 000	18 300	(2) 1-8	295	5
		320	620	41 700	25 000	16 300	15 000	18 300	(2) 1-8	900	8
030/032	226	526	622	42 500	25 500	16 600	15 300	19 000	(2) 1-8	295	5
		034	228	528	622	42 500	25 500	16 600	15 300	19 000	(2) 1-8
036/038	230	530	624	55 900	33 500	21 200	19 300	23 200	(2) 1-8	295	5
		040	232	532	626	50 900	30 500	19 300	17 600	21 200	(4) 3/4-10
044	234	534	628	52 600	31 500	19 300	17 300	20 800	(4) 3/4-10	380	8
		048	236	536	630	52 600	31 500	19 000	17 000	20 000	(4) 3/4-10
048	238	538	632	65 100	39 000	24 000	21 200	25 500	(4) 7/8-9	600	8
		052	240	540	634	81 800	49 000	30 500	27 000	32 500	(4) 7/8-9
056	244	544	638	95 100	57 000	36 000	32 500	39 000	(4) 1-8	900	8
		056	340	640	101 000	61 000	38 000	34 000	41 500	(4) 1 1/2-6	870

* When the bearing housing can be supplied with either a two- or four-bolt base, the asterisk allowable loads for the four-bolt base option

Table 4

Safe loads and cap bolt information for SAFS cast steel housings

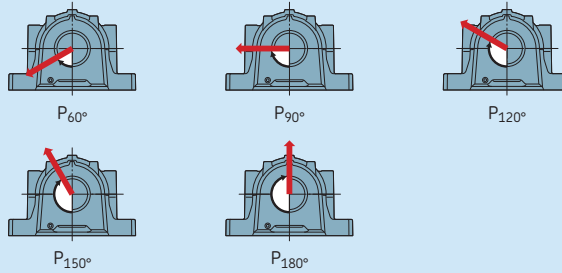


Housing Size	Recommended safe loads					Cap bolt (no.)	Size	Torque	SAE grade				
	P _{60°}	P _{90°}	P _{120°}	P _{150°}	P _{180°}								
	lbf.						in.	ft.-lbs.					
216	515	23 300	13 400	8 300	7 500	9 000	(2) 1/2-13	110	8				
	*515	17 000	10 200	6 400	5 700	6 900	(2) 1/2-13	110	8				
	516	31 000	18 600	11 200	10 000	11 800	(2) 5/8-11	220	8				
	*216	*516	31 000	18 600	11 200	10 000	11 800	(2) 5/8-11	220	8			
	217	517	17 700	10 600	6 500	6 000	7 200	(2) 5/8-11	220	8			
024	*217	*517	18 700	11 200	7 100	6 400	7 600	(2) 5/8-11	220	8			
	218	518	31 700	19 000	12 000	10 800	13 200	(4) 1/2-13	110	8			
	*218	*518	35 400	21 200	13 400	12 200	14 600	(4) 1/2-13	110	8			
	220	520	31 700	19 000	11 800	10 800	12 900	(4) 5/8-11	220	8			
	*024	*220	*520	39 400	23 600	14 600	13 200	16 000	(4) 5/8-11	220	8		
030	026	222	522	40 000	24 000	15 000	13 400	16 300	(4) 5/8-11	220	8		
	028	320	620	55 900	33 500	21 200	19 600	24 000	(4) 5/8-11	220	8		
	030	226	322	526	69 300	41 500	28 000	26 500	34 000	(4) 3/4-10	380	8	
	032			526	69 300	41 500	28 000	26 500	34 000	(4) 3/4-10	380	8	
	034		228	528	67 600	40 500	26 000	23 600	28 500	(4) 7/8-9	600	8	
				67 600	40 500	26 000	23 600	28 500	(4) 7/8-9	600	8		
		230	324	530	88 500	53 000	33 500	30 500	36 500	(4) 7/8-9	600	8	
036					67 600	40 500	26 000	23 600	28 500	(4) 7/8-9	600	8	
			232	326	532	77 600	46 500	30 000	27 000	32 500	(4) 7/8-9	600	8
		038		532	77 600	46 500	30 000	27 000	32 500	(4) 7/8-9	600	8	
		040	234	328	534	77 600	46 500	28 500	25 500	30 000	(4) 1-8	900	8
	044				77 600	46 500	30 000	27 000	32 500	(4) 1-8	900	8	
		238	330	536	120 200	72 000	44 000	39 000	45 500	(2) 1 3/8-6	2380	8	
		048	240	334	538	93 500	56 000	34 000	30 500	36 000	(4) 1 1/8-7	1280	8
				540	125 200	75 000	46 500	41 500	50 000	(4) 1 1/4-7	1820	8	
052					125 200	75 000	46 500	41 500	50 000	(4) 1 1/4-7	1820	8	
		244	338	544	155 300	93 000	58 500	53 000	64 000	(4) 1 1/2-6	3160	8	
		056		544	150 300	90 000	56 000	50 000	60 000	(4) 1 1/2-6	3160	8	
				640	150 300	90 000	56 000	50 000	60 000	(4) 1 1/2-6	3160	8	
				640	150 300	90 000	56 000	50 000	60 000	(4) 1 1/2-6	3160	8	

* When the bearing housing can be supplied with either a two- or four-bolt base, the asterisk indicates safe loads for the four-bolt base option

Table 5

Safe loads and cap bolt information for SAW housings made of grey cast iron



Housing Size	Recommended safe loads					Cap bolt (no.) size	Torque	SAE grade
	P _{60°}	P _{90°}	P _{120°}	P _{150°}	P _{180°}			
–	lbf.					in.	ft.-lbs.	
520	26 720	16 000	10 000	9 000	11 000	(2) 3/4-10	380	8
526	42 585	25 500	16 600	15 300	19 000	(2) 1-8	900	8
528	43 420	26 000	16 600	15 000	18 300	(4) 7/8-9	165	2
538	65 130	39 000	24 000	21 200	25 500	(4) 7/8-9	600	8
540	81 830	49 000	30 500	27 000	32 500	(4) 7/8-9	600	8
544	95 190	57 000	36 000	32 500	39 000	(4) 1-8	900	8

Additional housing support

When the housing is subjected to loads acting parallel to the support surface, it may be necessary to pin the housing to the support surface or to provide a stop to counter the load.

When loads act at angles between 60° and 120°, or when the axial loads are greater than 25% of P_{180°}, the housing should be pinned to the support surface or a stop should be provided to counter the load. The dowel pins or stop should be sufficiently strong to accommodate the loads acting parallel to the support surface. Dimples indicating the recommended positions for dowel pins are cast into the base of the housing.

Operating temperature

The permissible operating temperature is mainly limited by the seals (→ **table 1, page 390**) and the lubricant in the bearing. For temperature limits of SKF bearings and lubricants,

refer to the product information available online at skf.com/bearings.

The housing material does not have any additional temperature limits, except for very low temperature applications where impact strength could be a factor. The housing paint is heat resistant up to 175 °F material temperature or 210 °F ambient temperature.

When temperatures outside the permissible range are expected, contact the SKF application engineering service.

Operating speed

All seals, except non-contact labyrinth seals, limit the permissible operating speed. Speed limits for seals are provided in **table 2 on page 392**. For speed limits of the bearing, refer to the product information available online at skf.com/bearings.

Shaft specifications

Table 6 lists the recommended shaft diameter tolerances. The values d_a , d_b and d_c are listed in the product tables starting on **page 418**. The tolerance class for the bearing shaft seat should be selected from the SKF catalogue *Rolling bearings*.

Attachment bolt recommendations

In typical applications, 8.8 class (SAE J429, Grade 5) hexagon head bolts can be used together with washers. If the load does not act perpendicularly toward the base, it may be necessary to use stronger, 10.9 class (SAE J429, Grade 8) bolts.

SKF housings can withstand loads resulting from tightening the attachment bolts to the torque values recommended by bolt manufacturers. SKF cannot guarantee that tightening to the recommended value will provide sufficient anchoring. Make sure that attachment bolts, dowels or stops, and a sufficiently strong support can accommodate all occurring loads.

Lubrication

SAF and SAW pillow (plummer) blocks can accommodate grease, oil bath or circulating oil lubrication systems. Any sealing solution can be used with grease lubrication, while for oil lubrication SKF does not recommend using labyrinth rings in the LER series.

The lubricant should be selected based on the operating conditions of the bearing. For additional information about lubricant selection, refer to the product information available online at skf.com/bearings.

Initial grease fill

If no other requirements exist, the free space in the bearing should be completely filled with grease and the free space in the housing should be filled to 20 to 40% of its volume. A 40% grease fill is required when bearings have to be relubricated from the side, while a 20% grease fill is used when bearings are relubricated via the outer ring.

For highly contaminated environments and slow speeds, fill the housing to 70 to 80%. For best protection against contaminants, use the SKF three-barrier solution (→ **page 39**). For additional information, contact the SKF application engineering service.

Quantities for 20% and 40% grease fills are listed in **tables 7** and **8**. The values are valid for a typical lithium grease (about 0,57 oz/in³). The grease to fill labyrinth seals or taconite heavy-duty seals is not included. For sealed bearings, the values have to be adjusted.

In most applications, the initial grease fill will adequately lubricate the bearing until the grease is exchanged during the next planned inspection.

Table 6

Recommended shaft diameter tolerances

Nominal diameter	over	incl.	Diameter tolerance limits			
			Adapter mounting		Cylindrical mounting	
			d_a high	low	d_b and d_c high	low
in.						
1/2	1		0.000	-0.002	-	-
1	2		0.000	-0.003	0.000	-0.003
2	4		0.000	-0.004	0.000	-0.003
4	6		0.000	-0.005	0.000	-0.003
6	10		0.000	-0.006	0.000	-0.004
10	15		0.000	-0.006	0.000	-0.005
15			0.000	-0.006	0.000	-0.006

Table 7

Initial grease fill for SAF housings

Housing Size	Initial fill	
	20%	40%
–	oz	
	507	0.7 1.3
	509	0.9 1.8
	510	1.1 2.3
308		1.1 2.3
309	609	1.4 2.9
	511	1.4 2.9
310	610	1.9 3.8
	513	1.9 3.8
311	611	2.4 4.8
	515	2.4 4.8
	312	3.1 6.2
216	313 516 613	3.1 6.2
217	517	3.9 7.7
	314	3.9 7.7
218	315 518 615	5.0 10.1
	316	6.4 12.9
	317	6.4 12.9
024	220 520	6.4 12.9
	318	618 8.2 17
026	222 522	8.2 17
028	224 320 524 620	13.4 27
030	226 322 526 622	13.5 27
032		13.5 27
034	228 528	17 35
	230 324 530 624	22 44
036	232 326 532 626	28 57
038		28 57
040	234 328 534 628	31 62
	236 330 536 630	46 93
044	238 332 538 632	59 119
048	240 334 540 634	76 152
052	244 338 544 638	97 194
056	340 640	124 248

Table 8

Initial grease fill for SAW housings

Housing Size	Initial fill	
	20%	40%
–	oz	
218	518	5.0 10.1
220	520	6.4 12.9
222	522	15 30
224	524	13.4 27
226	526	13.5 27
228	528	30 60
230	530	22 44
323	532	28 57
234	534	31 62
236	536	46 93
238	538	59 119
240	540	76 152
244	544	97 194

Relubrication

SAF and SAW housing caps have two drilled and tapped lubrication holes, one centred and one offset, (→ **fig. 8**) that are sealed with standard pipe plugs.

The housings also have dimples on the cap where holes can be drilled and tapped if other positions are required. Two dimples on the outer sides of the central ridge indicate the position of lubrication holes to lubricate labyrinth seals. All SAF and SAW housing bases are equipped with a drain plug on each side (→ **fig. 9**) to purge or drain old lubricants or to serve as an outlet for circulating oil. The sump in the housing base is large enough to accommodate a sufficient quantity of lubricant to provide reliable long-term operation.

Relubrication via the outer ring

The hole in the centre of the cap should be used to relubricate spherical roller bearings with a relubrication feature (a lubrication groove and holes in the outer ring) (→ **fig. 10**). When applying grease via the relubrication feature, the shaft should be rotating.

Relubrication from the side

When relubricating from the side, which is typically necessary for self-aligning ball bearings and CARB toroidal roller bearings, the offset hole in the housing should be used.

SAF housings from size 507 to 528 have an integral flange that guides grease from the grease fitting directly to the rolling elements (→ **fig. 11**).

When bearings mounted on an adapter sleeve have to be relubricated from the side, the grease should be introduced from the side opposite the lock nut.

When bearings mounted at the end of a shaft have to be relubricated from the side, the grease should be applied at the point closest to the end plug.

Fig. 8

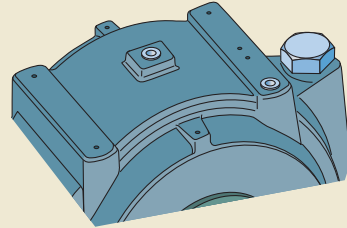


Fig. 9

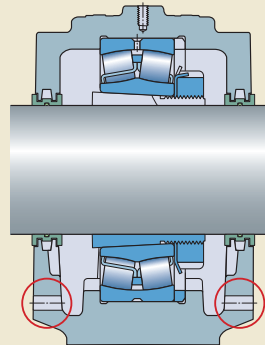


Fig. 10

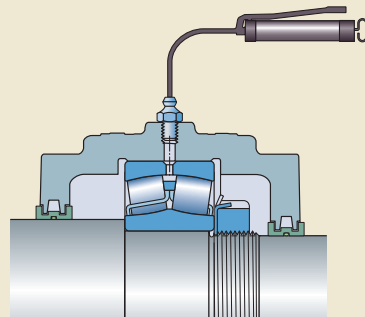
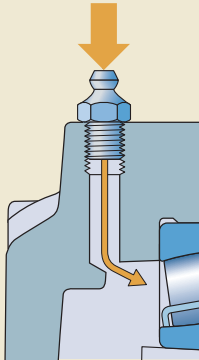


Fig. 11



Oil lubrication

Oil bath lubrication

The level of oil should be at about the centre of the lowermost rolling element when the bearing is stationary. Values for the oil level are listed in **tables 9** and **table 10** (→ **page 412**). For higher speeds, the level should be slightly lower to reduce the effects of lubricant churning – about $\frac{1}{8}$ in. above the corner of the outer ring raceway of the bearing. For additional information contact the SKF application engineering service.

An oil sight glass should be used to monitor the oil level during operation. It can be mounted to one of the drain holes in the housing base. The static oil level should be marked on the sight glass during installation and a running level should be marked immediately after start-up. Depending on the type of bearing and the speed and direction of rotation, the running level will either rise or fall from the static level.

Table 9

Oil level for SAW housings

Housing series		Oil level ¹⁾
232(00)	235(00)	
–		in.
23226	23528	$2\frac{1}{16}$
23220	23526	$2\frac{3}{8}$
23236		$2\frac{7}{16}$
23238	23538	$2\frac{1}{2}$
23240	23540	$2\frac{1}{2}$
23244	23544	$3\frac{3}{16}$

¹⁾ The oil level is measured from the base of the housing. Mark the static and running level on the oil level gauge.

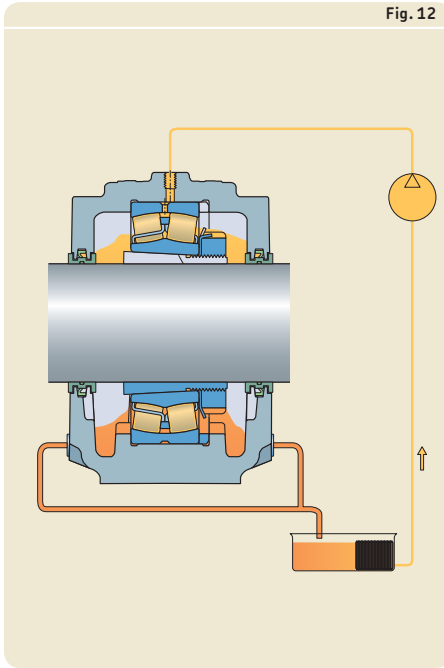
Split pillow blocks SAF and SAW series

Oil level for SAF housings							
Oil level ¹⁾	Housing series	13(00)	16(00)	222(00)	223(00)	225(00)	226(00)
in.	-						
7/8		1507				22507	
31/32						22509	
1		1509					
1 3/32						22510, 22513	
1 1/8		1510				22515	
1 3/16		1513				22511	
1 7/32	1308			22216		22516	
1 1/4		1511, 1515			22309		22609
1 9/32							
1 5/16	1309	1516	1609		22312		
1 13/32					22313		22613
1 3/8	1312			22217	22310	22517	22610
1 7/16	1310, 1313	1517	1610, 1613		22311		22611
1 15/32					22314		
1 1/2	1311	1518	1611	22218		22518	
1 9/16	1314						
1 19/32					22315		22615
1 21/32		1520		22220		22520	
1 11/16	1315		1615		22316		22616
1 23/32					22317		22617
1 3/4							
1 25/32		1522		22222		22520	
1 13/16	1316		1616		22308	22524	
1 27/32				22224			
1 7/8	1317		1617		22318		22618
1 15/16							
2	1318		1618	22230		22530	
2 1/32				22228	22320	22528	22620
2 1/16				22232		22532	
2 5/32				22234		22534	
2 3/16	1320		1620				
2 7/32							
2 1/4							
2 11/32				22226		22526	
2 3/8				22236	22324	22536	22624
2 13/32					22322		22622
2 7/16				22238	22326	22538	22626
2 15/32				22240		22540	
2 1/2	1322		1622				
2 9/16					22328		22628
2 5/8					22330		22630
2 11/16					22332		22632
2 3/4					22334		22634
2 7/8							
3 1/8				22244		22544	
3 3/8					22338		22638
3 7/16					22340		22640

¹⁾ The oil level is measured from the base of the housing. Mark the min. and max. level on the oil level gauge.

Table 10

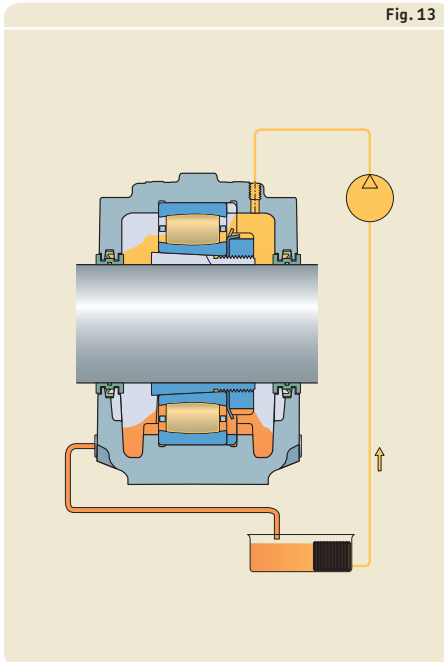
230(00)KA	C22(00)	C23(00)	C25(00)	C26(00)	C30(00)KA	Oil level ¹⁾
						in.
			C2507 C2509			$\frac{7}{8}$ $\frac{31}{32}$ 1
			C2510, C2513 C2515 C2511			$\frac{13}{32}$ $\frac{11}{8}$ $\frac{13}{16}$
	C2216		C2516			$\frac{17}{32}$ $\frac{11}{4}$ $\frac{19}{32}$
	C2217		C2517			$\frac{15}{16}$ $\frac{13}{32}$ $\frac{13}{8}$
	C2218	C2314	C2518			$\frac{17}{16}$ $\frac{15}{32}$ $\frac{11}{2}$
23024 KA	C2220	C2315	C2520	C2615		$\frac{19}{16}$ $\frac{19}{32}$ $\frac{21}{32}$
23026 KA 23034 KA		C2316 C2317		C2616 C2617		$\frac{11}{16}$ $\frac{23}{32}$ $\frac{13}{4}$
223028 KA	C2222		C2520			$\frac{25}{32}$ $\frac{13}{16}$ $\frac{27}{32}$
23038 KA 23040 KA	C2230	C2318	C2530	C2618	C3038 KA C3040 KA	$\frac{17}{8}$ $\frac{15}{16}$ 2
23032 KA 23036 KA	C2228 C2234	C2320	C2528 C2534	C2620	C3036 KA	$\frac{21}{32}$ $\frac{21}{16}$ $\frac{25}{32}$
23030 KA, 23048 KA 23044 KA	C2226		C2526		C3048 KA C3044 KA	$\frac{23}{16}$ $\frac{27}{32}$ $\frac{21}{4}$
	C2238		C2538			$\frac{211}{32}$ $\frac{23}{8}$ $\frac{213}{32}$
						$\frac{27}{16}$ $\frac{215}{32}$ $\frac{21}{2}$
23052 KA 23056 KA	C2224		C2544		C3052 KA C3056 KA	$\frac{29}{16}$ $\frac{25}{8}$ $\frac{211}{16}$
						$\frac{23}{4}$ $\frac{27}{8}$ $\frac{31}{8}$
						$\frac{33}{8}$ $\frac{37}{16}$



Circulating oil lubrication systems

When using a circulating oil lubrication system with SAF and SAW pillow blocks, oil is introduced through one of the inlet holes in the housing cap and drained from one or both holes in the base. For spherical roller bearings, oil should be introduced through the centre hole in the cap and drained from both sides of the base (→ **fig. 12**). For self-aligning ball bearings and CARB toroidal roller bearings, oil should be introduced through the offset hole in the cap and drained from the opposite side of the base so that oil is forced through the bearing (→ **fig. 13**).

Drains should lead downward immediately outside of the housing to prevent the accumulation of oil in the housing. Too high an oil level can result in higher operating temperatures due to churning of the lubricant. The drain piping must be adequately sized and arranged to provide adequate drainage. Additional considerations may be necessary when using circulating oil. These can include special seals, cross drillings in the housing, wet sump requirements, flow rates, and enlarged drain holes. For additional information, contact the SKF application engineering service.



Mounting

SAF and SAW pillow (plummer) block housings must be mounted properly using the appropriate tools and state of the art mechanical mounting methods. All the associated components must also meet certain basic requirements (→ *Specifications for shafts and housing support surfaces* on **page 45**). Mounting instructions are provided with each housing. For information about mounting rolling bearings, refer to the *SKF bearing maintenance handbook* or skf.com/mount.

Cap bolt torque specifications

Cap bolts should be tightened to the torque values listed in **tables 3 to 5** on **pages 404 to 407**.

Pinning or supporting the housing

Some load conditions may require the housing to be pinned to its support surface or a stop to accommodate loads acting parallel to the

housing support surface (→ *Additional housing support*, page 407).

Condition monitoring

SAF and SAW pillow (plummer) block housings have appropriate positions for condition monitoring sensors. These housings provide a flat area to attach sensors for different condition monitoring equipment. (→ **fig. 14**)

Position 1 is a measurement point perpendicular to the shaft, and should be used when the housing is hung from its support or when loads act away from the support surface.

Position 2 is a measurement point parallel to the shaft and should be used when loads act toward the support surface.

Both positions 1 and 2 are in accordance with ISO 10816-1.

Position 3 is a measurement point that is approximately 20° to 45° to the shaft axis.

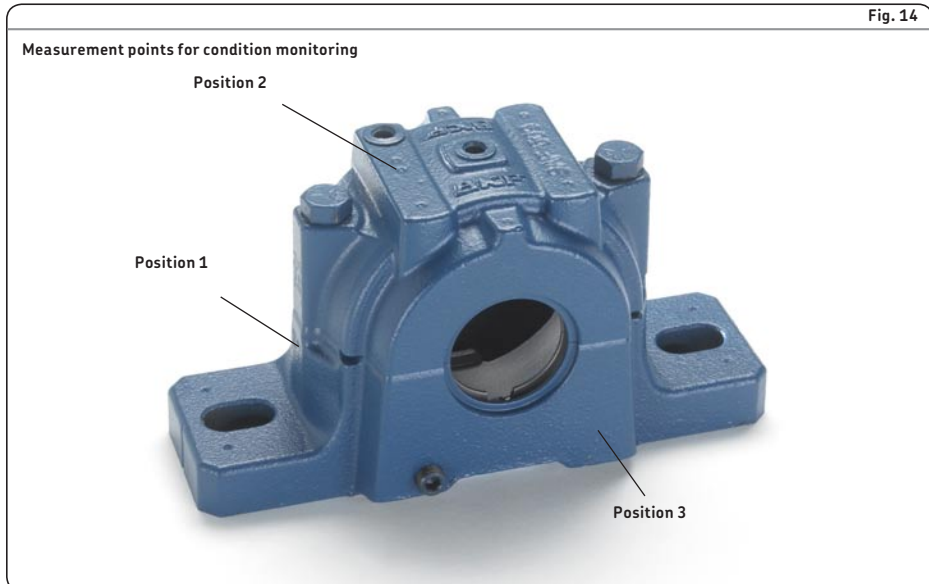
SAF and SAW housings have dimples cast into the housing cap to show where condition monitoring sensors can be mounted for maximum effectiveness.

Accessories

The following accessories are available for SAF and SAW pillow (plummer) block housings:

- Automatic lubricators: SKF SYSTEM 24 and SKF SYSTEM Multipoint
- Grease meter: LAGM 1000E
- Condition monitoring sensors

For additional information, refer to *SKF tools and products* (→ **page 47**).



Ordering information

SAF and SAW pillow (plummer) blocks are typically supplied as complete kits including housing, seals, bearing, adapter sleeve (or nut and washer) and a standard stabilizing (locating) ring. A complete pillow block is specified by a designation provided in the product tables. Optional features can be specified with a prefix and suffixes. If several suffixes are required, put them in alphabetical order.

All pillow block parts can also be supplied separately. Designations for the different parts are listed in the product tables.

Optional components are listed in the product tables and in **table 2** on **page 392**.

Order example

A shaft with 4 ³/₁₆ inch diameter has to be supported by two SAF pillow blocks with 22224 EK spherical roller bearings on an adapter sleeve, one at the shaft end for the non-locating bearing position and one for a through shaft at the locating bearing position. The housings should be sealed with PosiTrac Plus seals.

The following items should be ordered:

- 1 pillow block SAF 22524 TLCY
- 1 pillow block SAF 22524 TLC

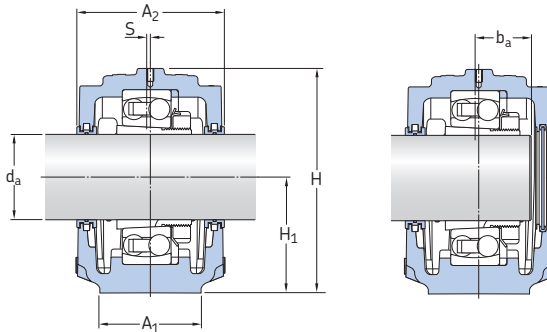
The delivery will contain:

- 2 housings SAF 524
- 2 spherical roller bearings 22224 EK
- 2 adapter sleeves with lock nuts SNW 24x4.3/16
- 2 locating rings SR 24-20
- 4 labyrinth rings with O-rings LOR 113
- 3 contact elements B-10724-113
- 1 end plug EPR 14

8.1 SAF pillow blocks with self-aligning ball bearings on an adapter sleeve

Series SAF 15(00) and 16(00)

d_a 1 3/16 – 2 11/16 in.

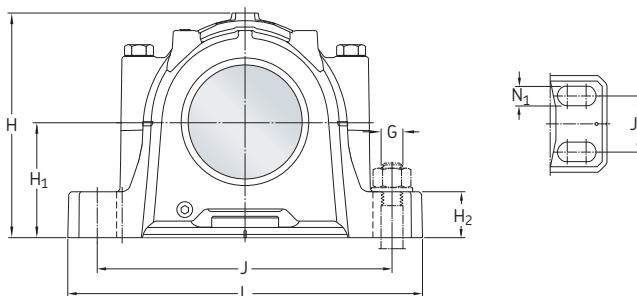


Units of measurement
In this chapter only imperial units are used. To convert imperial units to metric units, refer to the conversion table on page 10.

Shaft diameter	Complete pillow block	Components Pillow block housing	Bearing ¹⁾	Adapter assembly	(Qty), Stabilizing Ring, required ²⁾	Labyrinth ring (2 incl.)	Mass
d_a							
in.	–	–					lb.
1 3/16	SAF 1507	SAF 507	1207 EKTN9	SNW 7x1.3/16	(1) SR 7-6	LER 14	8
1 7/16	SAF 1509	SAF 509	1209 EKTN9	SNW 9x1.7/16	(1) SR 9-0	LER 17	12
	SAF 1609	SAF 609	1309 EKTN9	SNW 9x1.7/16	(2) SR 1609	LER 17	19
1 11/16	SAF 1510	SAF 510	1210 EKTN9	SNW 10x1.11/16	(1) SR 10-8	LER 20	13
	SAF 1610	SAF 610	1310 EKTN9	SNW 10x1.11/16	(2) SR 1610	LER 20	22
1 15/16	SAF 1511	SAF 511	1211 EKTN9	SNW 11x1.15/16	(1) SR 11-9	LER 24	16
	SAF 1611	SAF 611	1311 EKTN9	SNW 11x1.15/16	(2) SR 1611	LER 24	27
	FSAF 1611	FSAF 611	1311 EKTN9	SNW 11x1.15/16	(2) SR 1611	LER 24	27
2 3/16	SAF 1513	SAF 513	1213 EKTN9	SNW 13x2.3/16	(2) SR 13-0	LER 29	20
	SAF 1613	SAF 613	1313 EKTN9	SNW 13x2.3/16	(2) SR 1613	LOR 32	38
	FSAF 1613	FSAF 613	1313 EKTN9	SNW 13x2.3/16	(2) SR 1613	LOR 32	38
2 7/16	SAF 1515	SAF 515	1215 K	SNW 15x2.7/16	(2) SR 15-0	LOR 37	28
	FSAF 1515	FSAF 515	1215 K	SNW 15x2.7/16	(2) SR 15-0	LOR 37	28
	SAF 1615	SAF 615	1315 K	SNW 15x2.7/16	(2) SR 1615	LOR 37	47
	FSAF 1615	FSAF 615	1315 K	SNW 15x2.7/16	(2) SR 1615	LOR 37	47
2 11/16	SAF 1516	SAF 516	1216 K	SNW 16x2.11/16	(2) SR 1516	LOR 44	37
	FSAF 1516	FSAF 516	1216 K	SNW 16x2.11/16	(2) SR 1516	LOR 44	37
	SAF 1616	SAF 616	1316 K	SNW 16x2.11/16	(2) SR 1616	LOR 44	66
	FSAF 1616	FSAF 616	1316 K	SNW 16 2.11/16	(2) SR 1616	LOR 44	66

¹⁾ Optional internal radial clearance (e.g. C3) available on request

²⁾ For SAF 1513, 1515 and FSAF 1515 one stabilizing ring is included in each kit. For all others, discard enclosed stab rings (for SRB) and purchase stab rings separately



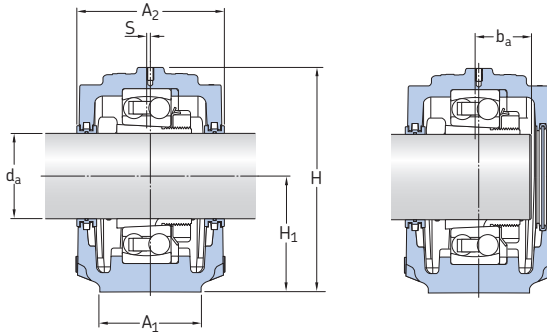
Complete pillow block
Designation Dimensions

	A ₁	A ₂	S	b _a	H	H ₁	H ₂	J _{min}	J _{max}	J ₁	L	N ₁	G
-	in.												
SAF 1507	2	3 ¹ / ₄	3 ¹ / ₁₆	1 ³ / ₁₆	3 ²⁹ / ₃₂	2.000	1 ³ / ₁₆	5 ⁵ / ₈	6 ¹ / ₈	-	7 ¹ / ₂	5 ⁵ / ₈	1 ¹ / ₂
SAF 1509	2 ³ / ₈	3 ¹ / ₂	3 ¹ / ₁₆	1 ⁵ / ₁₆	4 ⁷ / ₁₆	2.250	1 ³ / ₁₆	6 ¹ / ₄	7	-	8 ¹ / ₄	5 ⁵ / ₈	1 ¹ / ₂
SAF 1609	2 ³ / ₄	4 ¹ / ₄	0	1 ¹ / ₁₆	5 ⁵ / ₁₆	2.750	1	7 ³ / ₈	7 ⁷ / ₈	-	9 ⁵ / ₈	3 ³ / ₄	5 ⁵ / ₈
SAF 1510	2 ³ / ₈	3 ¹ / ₂	3 ¹ / ₁₆	1 ¹ / ₆₄	4 ¹³ / ₁₆	2.500	1 ⁵ / ₁₆	6 ¹ / ₂	7	-	8 ¹ / ₄	5 ⁵ / ₈	1 ¹ / ₂
SAF 1610	2 ³ / ₄	4 ⁵ / ₈	0	1 ⁵ / ₃₂	5 ¹³ / ₁₆	3.000	1 ¹ / ₈	7 ³ / ₄	9	-	10 ⁵ / ₈	3 ³ / ₄	5 ⁵ / ₈
SAF 1511	2 ³ / ₄	3 ⁷ / ₈	3 ¹ / ₁₆	1 ¹ / ₃₂	5 ¹ / ₄	2.750	1 ⁵ / ₁₆	7 ³ / ₈	8 ¹ / ₄	-	9 ⁵ / ₈	3 ³ / ₄	5 ⁵ / ₈
SAF 1611	3 ¹ / ₈	4 ⁷ / ₈	0	1 ³ / ₁₆	6 ³ / ₁₆	3.250	1 ³ / ₁₆	9 ¹ / ₂	8 ¹ / ₈	-	11	3 ³ / ₄	5 ⁵ / ₈
FSAF 1611	3 ¹ / ₈	4 ⁷ / ₈	0	1 ³ / ₁₆	6 ³ / ₁₆	3.250	1 ³ / ₁₆	9 ¹ / ₂	8 ¹ / ₈	2	11	5 ⁵ / ₈	1 ¹ / ₂
SAF 1513	3 ¹ / ₈	4 ¹ / ₂	0	1 ⁹ / ₆₄	5 ¹³ / ₁₆	3.000	1	8 ¹ / ₈	9 ¹ / ₂	-	11	3 ³ / ₄	5 ⁵ / ₈
SAF 1613	3 ¹ / ₂	5 ⁵ / ₁₆	0	1 ¹¹ / ₃₂	6 ¹⁹ / ₃₂	3.500	1 ¹ / ₄	11	9 ⁵ / ₈	-	13	7 ⁷ / ₈	3 ³ / ₄
FSAF 1613	3 ¹ / ₂	5 ⁵ / ₁₆	0	1 ¹¹ / ₃₂	6 ¹⁹ / ₃₂	3.500	1 ¹ / ₄	11	9 ⁵ / ₈	2 ¹ / ₈	13	3 ³ / ₄	5 ⁵ / ₈
SAF 1515	3 ¹ / ₈	4 ¹¹ / ₁₆	0	1 ⁷ / ₃₂	6 ⁷ / ₃₂	3.250	1 ¹ / ₈	8 ⁵ / ₈	9 ⁵ / ₈	-	11 ¹ / ₄	3 ³ / ₄	5 ⁵ / ₈
FSAF 1515	3 ¹ / ₈	4 ¹¹ / ₁₆	0	1 ⁷ / ₃₂	6 ⁷ / ₃₂	3.250	1 ¹ / ₈	8 ⁵ / ₈	9 ⁵ / ₈	1 ⁷ / ₈	11 ¹ / ₄	5 ⁵ / ₈	1 ¹ / ₂
SAF 1615	3 ⁷ / ₈	5 ⁷ / ₈	0	1 ¹⁵ / ₃₂	7 ⁹ / ₁₆	4.000	1 ⁵ / ₈	11 ⁵ / ₈	10 ³ / ₈	-	13 ³ / ₄	7 ⁷ / ₈	3 ³ / ₄
FSAF 1615	3 ⁷ / ₈	5 ⁷ / ₈	0	1 ¹⁵ / ₃₂	7 ⁹ / ₁₆	4.000	1 ⁵ / ₈	11 ⁵ / ₈	10 ³ / ₈	2 ¹ / ₈	13 ³ / ₄	3 ³ / ₄	5 ⁵ / ₈
SAF 1516	3 ¹ / ₂	5	0	1 ¹ / ₄	6 ¹¹ / ₁₆	3.500	1 ¹ / ₄	9 ⁵ / ₈	11	-	13	7 ⁷ / ₈	3 ³ / ₄
FSAF 1516	3 ¹ / ₂	5	0	1 ¹ / ₄	6 ¹¹ / ₁₆	3.500	1 ¹ / ₄	9 ⁵ / ₈	11	2 ¹ / ₈	13	1 ¹¹ / ₁₆	5 ⁵ / ₈
SAF 1616	3 ⁷ / ₈	6 ¹ / ₂	0	1 ¹ / ₂	8 ¹ / ₄	4.250	1 ³ / ₄	12 ⁵ / ₈	10 ⁵ / ₈	-	14 ¹ / ₄	7 ⁷ / ₈	3 ³ / ₄
FSAF 1616	3 ⁷ / ₈	6 ¹ / ₂	0	1 ¹ / ₂	8 ¹ / ₄	4.250	1 ³ / ₄	12 ⁵ / ₈	10 ⁵ / ₈	2 ¹ / ₈	14 ¹ / ₄	3 ³ / ₄	5 ⁵ / ₈

8.1 SAF pillow blocks with self-aligning ball bearings on an adapter sleeve

Series SAF 15(00) and 16(00)

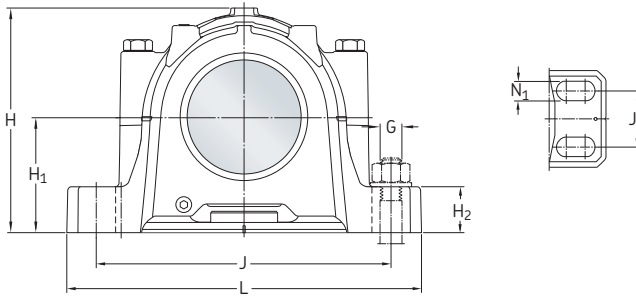
d_a 2 ¹⁵/₁₆ – 3 ¹⁵/₁₆ in.



Shaft diameter	Complete pillow block	Components Pillow block housing	Bearing ¹⁾	Adapter assembly	(Qty), Stabilizing Ring, required ²⁾	Labyrinth ring (2 incl.)	Mass
d_a							
in.	–	–					lb.
2 ¹⁵ / ₁₆	SAF 1517	SAF 517	1217 K	SNW 17x2.15/16	(2) SR 1517	LOR 53	38
	FSAF 1517	FSAF 517	1217 K	SNW 17x2.15/16	(2) SR 1517	LOR 53	38
	SAF 1617	SAF 617	1317 K	SNW 17x2.15/16	(2) SR 1617	LOR 184	69
	FSAF 1617	FSAF 617	1317 K	SNW 17x2.15/16	(2) SR 1617	LOR 184	69
3 ³ / ₁₆	SAF 1518	SAF 518	1218 K	SNW 18x3.3/16	(2) SR 1518	LOR 188	47
	FSAF 1518	FSAF 518	1218 K	SNW 18x3.3/16	(2) SR 1518	LOR 188	47
	SAF 1618	SAF 618	1318 K	SNW 18x3.3/16	(2) SR 1618	LOR 188	91
3 ⁷ / ₁₆	SAF 1520	SAF 520	1220 K	SNW 20x3.7/16	(2) SR 1520	LOR 102	62
	FSAF 1520	FSAF 520	1220 K	SNW 20x3.7/16	(2) SR 1520	LOR 102	62
	SAF 1620	SAF 620	1320 K	SNW 20x3.7/16	(2) SR 1620	LOR 102	101
3 ¹⁵ / ₁₆	SAF 1522	SAF 522	1222 K	SNW 22x3.15/16	(2) SR 1522	LOR 109	73
	SAF 1622	SAF 622	1322 KM	SNW 22x3.15/16	(2) SR 1622	LOR 109	138

¹⁾ Optional internal radial clearance (e.g. C3) available on request

²⁾ For SAF 1513,1515 and FSAF 1515 one stabilizing ring is included in each kit. For all others, discard enclosed stab rings (for SRB) and purchase stab rings separately



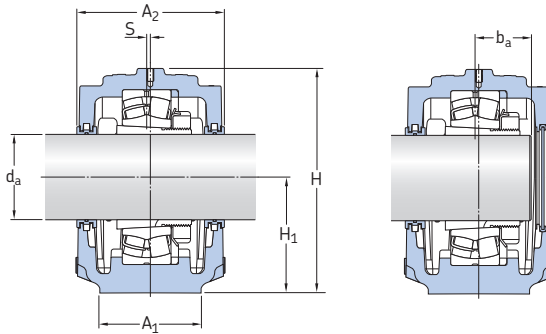
Complete pillow block
Designation **Dimensions**

	A ₁	A ₂	S	b _a	H	H ₁	H ₂	J _{min}	J _{max}	J ₁	L	N ₁	G
-	in.												
SAF 1517	3 1/2	5	0	1 5/16	7 1/8	3.750	1 1/4	9 7/8	11	-	13	7/8	3/4
FSAF 1517	3 1/2	5	0	1 5/16	7 1/8	3.750	1 1/4	9 7/8	11	2 1/8	13	3/4	5/8
SAF 1617	4 3/8	6 3/4	0	1 9/16	8 3/4	4.500	1 3/4	13 1/8	11 5/8	-	15 1/4	1	7/8
FSAF 1617	4 3/8	6 3/4	0	1 9/16	8 3/4	4.500	1 3/4	13 1/8	11 5/8	2 3/8	15 1/4	7/8	3/4
SAF 1518	3 7/8	5 7/8	0	1 3/4	7 19/32	4.000	1 5/8	10 1/4	11 3/4	-	13 3/4	7/8	3/4
FSAF 1518	3 7/8	5 7/8	0	1 3/4	7 19/32	4.000	1 5/8	10 3/8	11 5/8	2 1/8	13 3/4	11/16	5/8
SAF 1618	4 3/8	6 7/8	0	1 11/16	9 3/16	4.750	2	13 1/2	12	2 1/4	15 1/2	7/8	3/4
SAF 1520	4 3/8	6 1/32	0	1 59/64	8 9/16	4.500	1 3/4	11 5/8	13 1/8	-	15 1/4	1	7/8
FSAF 1520	4 3/8	6 1/32	0	1 59/64	8 9/16	4.500	1 3/4	11 5/8	13 1/8	2 3/8	15 1/4	13/16	3/4
SAF 1620	4 3/4	7 5/16	0	1 27/32	10 3/16	5.250	2 1/8	14 1/2	13 1/4	2 3/4	16 1/2	7/8	3/4
SAF 1522	4 3/4	6 1/2	0	2 1/8	9 7/16	4.938	2	12 5/8	14 1/2	2 3/4	16 1/2	7/8	3/4
SAF 1622	5 1/4	8 1/8	0	1 5/16	11 5/16	6.000	2 3/8	16	14 5/8	3 1/4	18 3/8	1	7/8

8.2 SAF and SAW pillow blocks with spherical roller bearings on an adapter sleeve

Series SAF 225(00), 226(00), 230(00)KA and SAW series 235(00)

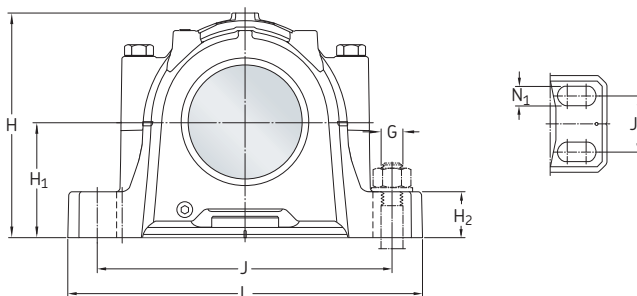
d_a 1 3/16 – 2 11/16 in.



Units of measurement
In this chapter only imperial units are used. To convert imperial units to metric units, refer to the conversion table on page 10.

Shaft diameter	Complete pillow block	Components Pillow block housing	Bearing ¹⁾	Adapter assembly	Stabilizing ring (1 incl.)	Labyrinth ring (2 incl.)	Mass
d_a							
in.	–	–					lb.
1 3/16	SAF 22507	SAF 507	22207 EK	SNW 7x1.3/16	36053-6	LER 14	8
1 7/16	SAF 22509	SAF 509	22209 EK	SNW 9x1.7/16	SR 9-9	LER 17	12
	SAF 22609	SAF 609	22309 EK	SNW 109x1.7/16	SR 11-9	LER 17	20
1 11/16	SAF 22510	SAF 510	22210 EK	SNW 10x1.11/16	SR 10-0	LER 20	13
	SAF 22610	SAF 610	22310 EK	SNW 110x1.11/16	SR 0-10	LER 20	24
1 15/16	SAF 22511	SAF 511	22211 EK	SNW 11x1.15/16	SR 11-0	LER 24	16
	SAF 22611	SAF 611	22311 EK	SNW 111x1.15/16	SR 13-11	LER 24	29
	FSAF 22611	FSAF 611	22311 EK	SNW 111x1.15/16	SR 13-11	LER 24	29
2 3/16	SAF 22513	SAF 513	22213 EK	SNW 13x2.3/16	SR 13-0	LER 29	23
	SAF 22613	SAF 613	22313 EK	SNW 113x2.3/16	SR 16-13	LOR 32	40
	FSAF 22613	FSAF 613	22313 EK	SNW 113x2.3/16	SR 16-13	LOR 32	40
2 7/16	SAF 22515	SAF 515	22215 EK	SNW 15x2.7/16	SR 15-0	LOR 37	28
	SAF 22615	SAF 615	22315 CCK/W33	SNW 115x2.7/16	SR 18-15	LOR 37	52
	FSAF 22515	FSAF 515	22215 EK	SNW 15x2.7/16	SR 15-0	LOR 37	28
	FSAF 22615	FSAF 615	22315 CCK/W33	SNW 115x2.7/16	SR 18-15	LOR 37	52
2 11/16	SAF 22516	SAF 516	22216 EK	SNW 16x2.11/16	SR 16-13	LOR 44	37
	SAF 22616	SAF 616	22316 CCK/W33	SNW 116x2.11/16	SR 19-16	LOR 44	71
	FSAF 22516	FSAF 516	22216 EK	SNW 16x2.11/16	SR 16-13	LOR 44	37
	FSAF 22616	FSAF 616	22316 CCK/W33	SNW 116x2.11/16	SR 19-16	LOR 44	71

¹⁾ Optional internal radial clearance (e.g. C3) available on request



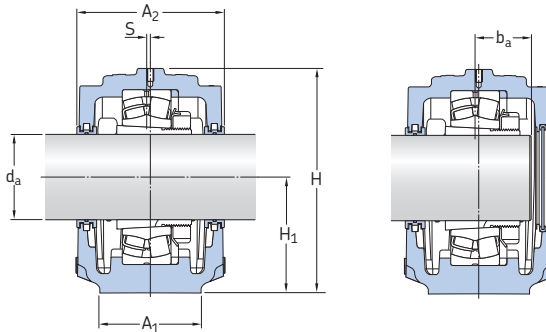
Complete pillow block
Designation Dimensions

	A ₁	A ₂	S	b _a	H	H ₁	H ₂	J _{min}	J _{max}	J ₁	L	N ₁	G
–	in.												
SAF 22507	2	3 1/4	5/64	13/16	3 29/32	2.000	13/16	5 5/8	6 1/8	–	7 1/2	5/8	1/2
SAF 22509	2 3/8	3 1/2	7/64	15/16	4 7/16	2.250	13/16	6 1/4	7	–	8 1/4	5/8	1/2
SAF 22609	2 3/4	4 1/4	3/16	1 5/16	5 5/16	2.750	1	7 3/8	7 7/8	–	9 5/8	3/4	5/8
SAF 22510	2 3/8	3 1/2	9/64	1 1/64	4 13/16	2.500	15/16	6 1/2	7	–	8 1/4	5/8	1/2
SAF 22610	2 3/4	4 5/8	3/16	1 7/16	5 13/16	3.000	1 1/8	7 3/4	9	–	10 5/8	3/4	5/8
SAF 22511	2 3/4	3 7/8	1/8	1 13/64	5 1/4	2.750	15/16	7 3/8	8 1/4	–	9 5/8	3/4	5/8
SAF 22611	3 1/8	4 7/8	3/16	1 1/2	6 3/16	3.250	1 3/16	8 1/8	9 1/2	–	11	3/4	5/8
FSAF 22611	3 1/8	4 7/8	3/16	1 1/2	6 3/16	3.250	1 3/16	8 1/8	9 1/2	2	11	5/8	1/2
SAF 22513	3 1/8	4 1/2	5/32	1 25/64	5 13/16	3.000	1	8 1/8	9 1/2	–	11	3/4	5/8
SAF 22613	3 1/2	5 5/16	3/16	1 11/16	6 19/32	3.500	1 1/4	9 5/8	11	–	13	7/8	3/4
FSAF 22613	3 1/2	5 5/16	3/16	1 11/16	6 19/32	3.500	1 1/4	9 5/8	11	2 1/8	13	3/4	5/8
SAF 22515	3 1/8	4 11/16	1/8	1 7/16	6 7/32	3.250	1 1/8	8 5/8	9 5/8	–	11 1/4	3/4	5/8
SAF 22615	3 7/8	5 7/8	3/16	1 7/8	7 9/16	4.000	1 5/8	10 3/8	11 5/8	–	13 3/4	7/8	3/4
FSAF 22515	3 1/8	4 11/16	1/8	1 7/16	6 7/32	3.250	1 1/8	8 5/8	9 5/8	1 7/8	11 1/4	5/8	1/2
FSAF 22615	3 7/8	5 7/8	3/16	1 7/8	7 9/16	4.000	1 5/8	10 3/8	11 5/8	2 1/8	13 3/4	3/4	5/8
SAF 22516	3 1/2	5	3/16	1 15/32	6 11/16	3.500	1 1/4	9 5/8	11	–	13	7/8	3/4
SAF 22616	3 7/8	6 1/2	3/16	1 15/16	8 1/4	4.250	1 3/4	10 5/8	12 5/8	–	14 1/4	7/8	3/4
FSAF 22516	3 1/2	5	3/16	1 15/32	6 11/16	3.500	1 1/4	9 5/8	11	2 1/8	13	1 1/16	5/8
FSAF 22616	3 7/8	6 1/2	3/16	1 15/16	8 1/4	4.250	1 3/4	10 5/8	12 5/8	2 1/8	14 1/4	3/4	5/8

8.2 SAF and SAW pillow blocks with spherical roller bearings on an adapter sleeve

Series SAF 225(00), 226(00), 230(00)KA and SAW series 235(00)

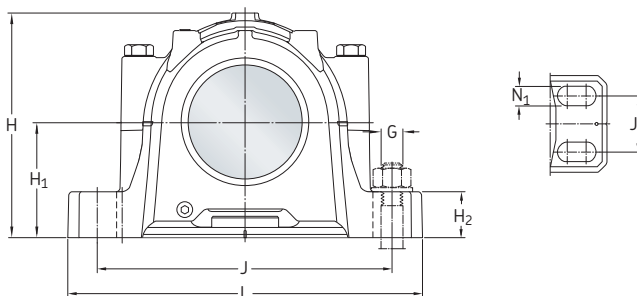
d_a 2 ¹⁵/₁₆ – 4 ³/₁₆ in.



Shaft diameter d_a	Complete pillow block	Components Pillow block housing	Bearing ¹⁾	Adapter assembly	Stabilizing ring (1 incl.)	Labyrinth ring (2 incl.)	Mass
in.	–	–					lb.
2 ¹⁵ / ₁₆	SAF 22517	SAF 517	22217 EK	SNW 17x2.15/16	SR 17-14	LOR 53	39
	SAF 22617	SAF 617	22317 CCK/W33	SNW 117x2.15/16	SR 20-17	LOR 184	75
	FSAF 22517	FSAF 517	22217 EK	SNW 17x2.15/16	SR 17-14	LOR 53	39
	FSAF 22617	FSAF 617	22317 CCK/W33	SNW 117x2.15/16	SR 20-17	LOR 184	75
3 ³ / ₁₆	SAF 22518	SAF 518	22218 EK	SNW 18x3.3/16	SR 18-15	LOR 188	47
	SAF 22618	SAF 618	22318 CCK/W33	SNW 118x3.3/36	SR 21-18	LOR 188	97
	FSAF 22518	FSAF 518	22218 EK	SNW 18x3.3/16	SR 18-15	LOR 188	47
	SAW 23518	SAW 518	23218 CCK/W33	SNW 118x3.3/16	SR 18-15	LOR 188	50
3 ⁷ / ₁₆	SAF 22520	SAF 520	22220 EK	SNW 20x3.7/16	SR 20-17	LOR 102	62
	SAF 22620	SAF 620	22320 CCK/W33	SNW 120x3.7/16	SR 24-20	LOR 102	113
	FSAF 22520	FSAF 520	22220 EK	SNW 20x3.7/16	SR 20-17	LOR 102	62
	SAW 23520	SAW 520	23220 CCK/W33	SNW 120x3.7/16	SR 20-17	LOR 102	75
3 ¹⁵ / ₁₆	SAF 22522	SAF 522	22222 EK	SNW 22x3.15/16	SR 22-19	LOR 109	73
	SAF 22622	SAF 622	22322 CCK/W33	SNW 122x3.15/16	SR 0-22	LOR 109	153
	SAWS 23522	SAWS 522	23222 CCK/W33	SNW 122x3.15/16	SR 22-19	LOR 109	96
4 ³ / ₁₆	SAF 22524	SAF 524	22224 EK	SNW 24x4.3/16	SR 24-20	LOR 113	104
	SAF 22624	SAF 624	22324 CCK/W33	SNW 124x4.3/16	SR 0-24	LOR 113	206
	SAF 23024 KA x 4.3/16	SAF 024 x 4.3/16	23024 CCK/W33	SNW 3024x4.3/16	38151-24 ²⁾	LOR 113	63
	FSAF 23024 KA x 4.3/16	FSAF 024 x 4.3/16	23024 CCK/W33	SNW 3024x4.3/16	38151-24 ²⁾	LOR 113	63
	SAW 22524	SAW 524	23224 CCK/W33	SNW 124x4.3/16	SR 24-20	LOR 113	110

¹⁾ Optional internal radial clearance (e.g. C3) available on request

²⁾ Two stabilizing rings are required, but none are included.



Complete pillow block
Designation

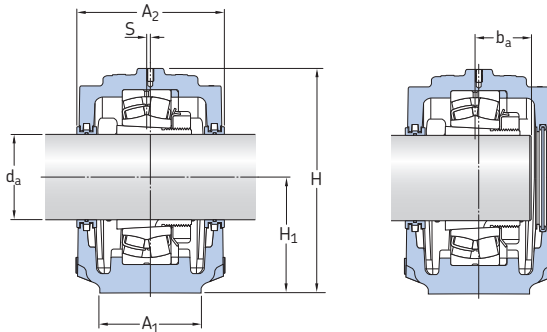
Dimensions

	A ₁	A ₂	S	b _a	H	H ₁	H ₂	J _{min}	J _{max}	J ₁	L	N ₁	G
–	in.												
SAF 22517	3 1/2	5	3/16	1 9/16	7 1/8	3.750	1 1/4	9 7/8	11	–	13	7/8	3/4
SAF 22617	4 3/8	6 3/4	3/16	2 1/16	8 3/4	4.500	1 3/4	11 5/8	13 1/8	–	15 1/4	1	7/8
FSAF 22517	3 1/2	5	3/16	1 9/16	7 1/8	3.750	1 1/4	9 7/8	11	2 1/8	13	3/4	5/8
FSAF 22617	4 3/8	6 3/4	3/16	2 1/16	8 3/4	4.500	1 3/4	11 5/8	13 1/8	2 3/8	15 1/4	7/8	3/4
SAF 22518	3 7/8	5 7/8	3/16	1 3/4	7 19/32	4.000	1 5/8	10 1/4	11 3/4	–	13 3/4	7/8	3/4
SAF 22618	4 3/8	6 7/8	3/16	2 3/16	9 1/4	4.750	2	12	13 1/2	2 1/4	15 1/2	7/8	3/4
FSAF 22518	3 7/8	5 7/8	3/16	1 3/4	7 19/32	4.000	1 5/8	10 3/8	11 5/8	2 1/8	13 3/4	11/16	5/8
SAW 23518	3 7/8	5 7/8	3/16	1 29/32	7 19/32	4.000	1 5/8	10 3/8	11 5/8	2 1/8	13 3/4	11/16	5/8
SAF 22520	4 3/8	6 1/32	3/16	1 59/64	8 9/16	4.500	1 3/4	11 5/8	13 1/8	–	15 1/4	1	7/8
SAF 22620	4 3/4	7 5/16	3/16	2 7/16	10 3/16	5.250	2 1/8	13 1/4	14 1/2	2 3/4	16 1/2	7/8	3/4
FSAF 22520	4 3/8	6 1/32	3/16	1 59/64	8 9/16	4.500	1 3/4	11 5/8	13 1/8	2 3/8	15 1/4	13/16	3/4
SAW 23520	4 3/8	6 13/16	3/16	2 1/16	8 3/4	4.500	1 3/4	11 5/8	13 1/8	2 3/8	15 1/4	5/8	1/2
SAF 22522	4 3/4	6 1/2	3/16	2 1/8	9 7/16	4.938	2	12 5/8	14 1/2	2 3/4	16 1/2	7/8	3/4
SAF 22622	5 1/4	8 1/8	3/16	2 5/8	11 5/16	6.000	2 3/8	14 5/8	16	3 1/4	18 3/8	1	7/8
SAWS 23522	4 3/4	7 7/8	3/16	2 3/82	9 5/8	4.938	2	12 5/8	14 1/2	2 3/4	16 1/2	7/8	3/4
SAF 22524	4 3/4	7 3/8	3/16	2 9/32	10 1/8	5.250	2 1/8	13 1/4	14 1/2	2 3/4	16 1/2	7/8	3/4
SAF 22624	6 1/4	8 3/8	3/16	2 13/16	12 1/2	6.312	2 1/2	17	18 1/4	3 3/4	21 1/4	1 1/8	1
SAF 23024 KA x 4.3/16	4 3/8	6 1/8	0	1 29/32	8 9/16	4 1/2	1 3/4	11 5/8	13 1/8	–	15 1/4	1	7/8
FSAF 23024 KA x 4.3/16	4 3/8	6 1/8	0	1 29/32	8 9/16	4 1/2	1 3/4	11 5/8	13 1/8	2 3/8	15 1/4	13/16	3/4
SAW 22524	4 3/4	7 3/8	3/16	2 17/32	10 1/8	5.250	2 1/8	13 1/4	14 1/2	2 3/4	16 1/2	7/8	3/4

8.2 SAF and SAW pillow blocks with spherical roller bearings on an adapter sleeve

Series SAF 225(00), 226(00), 230(00)KA and SAW series 235(00)

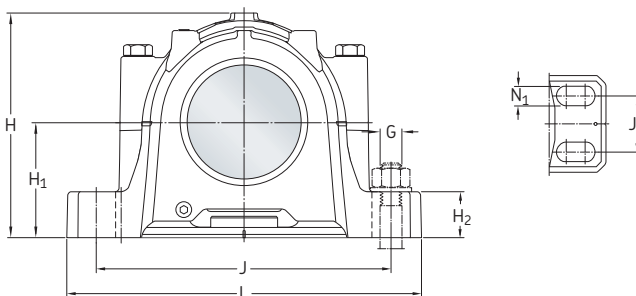
d_a 4 7/16 – 5 15/16 in.



Shaft diameter d_a	Complete pillow block	Components Pillow block housing	Bearing ¹⁾	Adapter assembly	Stabilizing ring (1 incl.)	Labyrinth ring (2 incl.)	Mass
in.	–	–					lb.
4 7/16	SAF 22526	SAF 526	22226 EK	SNW 26x4.7/16	SR 26-0	LOR 117	144
	SAF 22626	SAF 626	22326 CCK/W33	SNW 126x4.7/16	SR 0-26	LOR 117	233
	SAF 23026 KA x 4.7/16	SAF 026 KA x 4.7/16	23026 CCK/W33	SNW 3026x4.7/16	38151-26 ²⁾	LOR 117	74
	SAW 23526	SAW 526	23226 CCK/W33	SNW 126x4.7/16	SR 26-0	LOR 117	155
4 15/16	SAF 22528	SAF 528	22228 CCK/W33	SNW 28x4.15/16	SR 28-0	LOR 122	157
	SAF 22628	SAF 628	22328 CCK/W33	SNW 128x4.15/16	SR 0-28	LOR 122	296
	SAF 23028 KA x 4.15/16	SAF 028 KA x 4.15/16	23028 CCK/W33	SNW 3028x4.15/16	36053-50 ²⁾	LOR 122	138
	SAW 23528	SAW 528	23228 CCK/W33	SNW 128x4.15/16	SR 28-0	LOR 122	180
5 3/16	SAF 22530	SAF 530	22230 CCK/W33	SNW 30x5.3/16	SR 30-0	LOR 125	202
	SAF 22630	SAF 630	22330 CCK/W33	SNW 130x5.3/16	SR 36-30	LOR 125	322
	SAF 23030 KA x 5.3/16	SAF 030 KA x 5.3/16	23030 CCK/W33	SNW 3030x5.3/16	SR 0-21 ²⁾	LOR 125	149
	SAW 23530	SAW 530	23230 CCK/W33	SNW 130x5.3/16	SR 30-0	LOR 125	220
5 7/16	SAF 22532	SAF 532	22232 CCK/W33	SNW 32x5.7/16	SR 32-0	LOR 130	223
	SAF 22632	SAF 632	22332 CCK/W33	SNW 132x5.7/16	SR 38-32	LOR 130	401
	SAF 23032 KA x 5.7/16	SAF 032 KA x 5.7/16	23032 CCK/W33	SNW 3032x5.7/16	38151-32 ²⁾	LOR 130	175
	SAW 23532	SAW 532	23232 CCK/W33	SNW 132x5.7/16	SR 32-0	LOR 130	240
5 15/16	SAF 22534	SAF 534	22234 CCK/W33	SNW 34x5.15/16	SR 34-0	LOR 140	278
	SAF 22634	SAF 634	22334 CCK/W33	SNW 134x5.15/16	SR 40-34	LOR 140	510
	SAF 23034 KA x 5.15/16	SAF 034 KA x 5.15/16	23034 CCK/W33	SNW 3034x5.15/16	SR 0-24 ²⁾	LOR 140	148
	SAW 23534	SAW 534	23234 CCK/W33	SNW 134x5.15/16	SR 34-0	LOR 140	297

¹⁾ Optional internal radial clearance (e.g. C3) available on request

²⁾ Two stabilizing rings are required, but none are included.



Complete pillow block
Designation

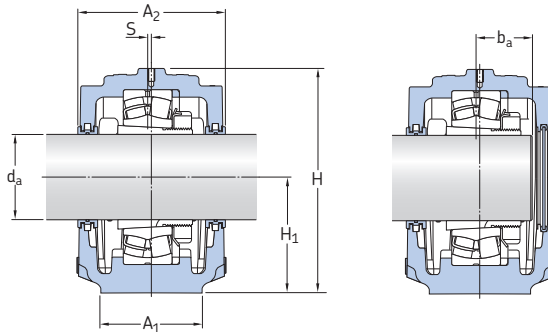
Dimensions

	A ₁	A ₂	S	b _a	H	H ₁	H ₂	J _{min}	J _{max}	J ₁	L	N ₁	G
–	in.												
SAF 22526	5 1/4	7 5/8	3/16	2 15/32	11 5/8	6.000	2 3/8	14 5/8	16	3 1/4	18 3/8	15/16	7/8
SAF 22626	6 1/4	8 3/4	3/16	3	13 5/16	6.688	2 5/8	17 3/8	19 1/4	3 3/4	22	1 1/8	1
SAF 23026 KA x 4.7/16	4 3/4	6 1/2	0	2 3/32	9 7/16	4.938	2	12 5/8	14 1/2	2 3/4	16 1/2	7/8	3/4
SAW 23526	5 1/4	7 5/8	3/16	2 3/4	11 5/8	6.000	2 3/8	14 5/8	16	3 1/4	18 3/8	15/16	7/8
SAF 22528	5 7/8	7 5/8	3/16	2 29/64	12 1/32	6.000	2 3/8	15 5/8	17 3/8	3 3/8	20 1/8	1 1/8	1
SAF 22628	6 3/4	9 5/8	3/16	3 1/4	14 3/16	7.062	2 3/4	19 3/8	21 5/8	4 1/4	24 3/4	1 1/8	1
SAF 23028 KA x 4.15/16	4 3/4	7 3/8	0	2 5/32	10 3/16	5.250	2 1/8	13 1/4	14 1/2	2 3/4	16 1/2	7/8	3/4
SAW 23528	5 7/8	9 1/8	3/16	2 31/32	11 3/4	6.000	2 3/8	16	17 1/8	3 3/8	20 1/8	1 1/8	1
SAF 22530	6 1/4	8 1/2	3/16	2 39/64	12 5/8	6.312	2 1/2	17	18 1/4	3 3/4	21 1/4	1 1/8	1
SAF 22630	7 1/8	9 3/4	3/16	3 7/16	14 7/8	7.500	3	20 7/8	23 5/8	4 5/8	26 3/4	1 1/8	1
SAF 23030 KA x 5.3/16	5 1/4	8 1/8	0	2 9/32	11 5/16	6.000	2 3/8	14 5/8	16	3 1/4	18 3/8	1	7/8
SAW 23530	6 1/4	8 1/2	3/16	3 1/8	12 5/8	6.312	2 1/2	17	18 1/4	3 3/4	21 1/4	1 1/8	1
SAF 22532	6 1/4	8 3/4	3/16	2 31/32	13 1/4	6.688	2 5/8	17 3/8	19 1/4	3 3/4	22	1 1/8	1
SAF 22632	7 1/2	10 3/4	3/16	3 5/8	15 11/16	7.875	3 1/8	21 5/8	24 3/8	4 1/2	28	1 3/8	1 1/4
SAF 23032 KA x 5.7/16	5 1/4	8 1/8	0	2 7/16	11 5/16	6.000	2 3/8	14 5/8	16	3 1/4	18 3/8	1	7/8
SAW 23532	6 1/4	8 3/4	3/16	3 7/16	13 1/4	6.688	2 5/8	17 3/8	19 1/4	3 3/4	22	1 1/8	1
SAF 22534	6 3/4	9 9/16	3/16	3 1/8	14 3/16	7.062	2 3/4	19 3/8	21 5/8	4 1/4	24 3/4	1 1/8	1
SAF 22634	8	11 1/4	3/16	3 3/4	16 1/2	8.250	3 3/8	22 1/2	25	5	29 1/2	1 3/8	1 1/4
SAF 23034 KA x 5.15/16	5 7/8	7 5/8	0	2 19/32	12 1/32	6.000	2 3/8	15 5/8	17 3/8	3 3/8	20 1/8	1 1/8	1
SAW 23534	6 3/4	9 9/16	3/16	3 19/32	14 3/16	7.062	2 3/4	19 3/8	21 5/8	4 1/4	24 3/4	1 1/8	1

8.2 SAF and SAW pillow blocks with spherical roller bearings on an adapter sleeve

Series SAF 225(00), 226(00), 230(00)KA and SAW series 235(00)

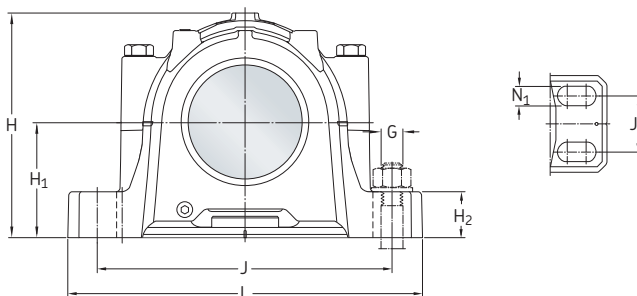
d_a 6 7/16 – 10 7/16 in.



Shaft diameter d_a	Complete pillow block	Components Pillow block housing	Bearing ¹⁾	Adapter assembly	Stabilizing ring (1 incl.)	Labyrinth ring (2 incl.)	Mass
in.	–	–					lb.
6 7/16	SAF 22536	SAF 536	22236 CCK/W33	SNW 36x6.7/16	SR 36-30	LOR 148	301
	SAF 23036 KA x 6.7/17	SAF 036 KA x 6.7/16	23036 CCK/W33	SNW 3036x6.7/16	38151-36 ²⁾	LOR 148	209
	SAW 23536	SAW 536	23236 CCK/W33	SNW 136x6.7/16	SR 36-30	LOR 148	325
6 15/16	SAF 22538	SAF 538	22238 CCK/W33	SNW 38x6.15/16	SR 38-32	LOR 155	374
	SAF 22638	SAF 638	22338 CCK/W33	SNW 138x6.15/16	SR 44-38	LOR 155	609
	SAF 23038 KA x 6.15/16	SAF 038 KA x 6.15/16	23038 CCK/W33	SNW 3038x6.15/16	38151-38 ²⁾	LOR 155	200
7 3/16	SAW 23538	SAW 538	23238 CCK/W33	SNW 138x6.15/16	SR 38-32	LOR 155	430
	SAF 22540	SAF 540	22240 CCK/W33	SNW 40x7.3/16	SR 40-34	LOR 159	443
	SAF 22640	SAF 640	22340 CCK/W33	SNW 140x7.3/16	SR 0-40	LOR 159	902
7 15/16	SAF 23040 KA x 7.3/16	SAF 040 KA x 7.3/16	23040 CCK/W33	SNW 3040x7.3/16	38151-40 ²⁾	LOR 159	259
	SAW 23540	SAW 540	23240 CCK/W33	SNW 140x7.3/16	SR 40-34	LOR 159	515
	SAF 22544	SAF 544	22244 CCK/W33	SNW 44x7.15/16	SR 44-38	LOR 167	577
8 15/16	SAF 23044 KA x 7.15/16	SAF 044 KA x 7.15/16	23044 CCK/W33	SNW 3044x7.15/16	36053-140 ²⁾	LOR 167	386
	SAW 23544	SAW 544	23244 CCK/W33	SNW 144x7.15/16	SR 44-38	LOR 167	710
	SAF 23048 KA x 8.15/16	SAF 048 KA x 8.15/16	23048 CCK/W33	SNP 3048x8.15/16	A-8897 ²⁾	LOR 552	474
9 7/16	SAF 23052 KA x 9.7/16	SAF 052 KA x 9.7/16	23052 CCK/W33	SNP 3052x9.7/16	A-8898 ²⁾	LOR 553	530
9 15/16	SAF 23056 KA x 9.15/16	SAF 056 KA x 9.15/16	23056 CACK/W33	SNP 3056x9.15/16	A-8819 ²⁾	LOR 607	800
10 7/16	SAF 23056 KA x 10.7/16	SAF 056 KA x 10.7/16	23056 CACK/W33	SNP 3056x10.7/16	A-8819 ²⁾	LOR 606	800

¹⁾ Optional internal radial clearance (e.g. C3) available on request

²⁾ Two stabilizing rings are required, but none are included.



Complete pillow block

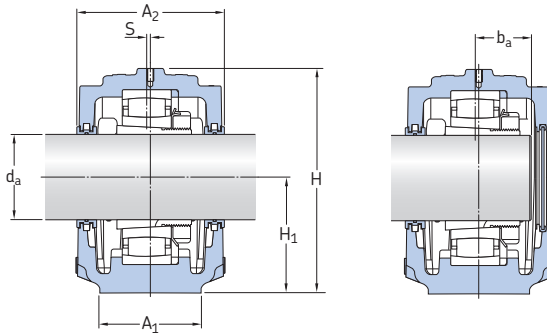
Designation

Dimensions

	A ₁	A ₂	S	b _a	H	H ₁	H ₂	J _{min}	J _{max}	J ₁	L	N ₁	G
	in.												
SAF 22536	7 ¹ / ₈	10	3 ¹ / ₁₆	3 ⁹ / ₆₄	14 ⁷ / ₈	7.500	3	20 ⁷ / ₈	23 ⁵ / ₈	4 ⁵ / ₈	26 ³ / ₄	1 ¹ / ₈	1
SAF 23036 KA x 6.7/16	6 ¹ / ₄	8 ³ / ₄	0	2 ²⁵ / ₃₂	13 ¹ / ₄	6.688	2 ⁵ / ₈	17 ³ / ₈	19 ¹ / ₄	3 ³ / ₄	22	1 ¹ / ₈	1
SAW 23536	7 ¹ / ₈	10	3 ¹ / ₁₆	3 ²¹ / ₃₂	14 ⁷ / ₈	7.500	3	20 ⁷ / ₈	23 ⁵ / ₈	4 ⁵ / ₈	26 ³ / ₄	1 ¹ / ₈	1
SAF 22538	7 ¹ / ₂	10 ³ / ₄	3 ¹ / ₁₆	3 ¹⁹ / ₆₄	15 ¹¹ / ₁₆	7.875	3 ¹ / ₈	21 ⁵ / ₈	24 ³ / ₈	4 ¹ / ₂	28	1 ³ / ₈	1 ¹ / ₄
SAF 22638	8 ³ / ₄	12	3 ¹ / ₁₆	4 ¹ / ₁₆	18 ⁵ / ₈	9.500	3 ³ / ₄	24 ³ / ₄	27 ⁷ / ₈	5 ¹ / ₄	32 ³ / ₄	1 ⁵ / ₈	1 ¹ / ₂
SAF 23038 KA x 6.15/16	6 ¹ / ₄	8 ³ / ₄	0	2 ¹³ / ₁₆	13 ¹ / ₄	6.688	2 ⁵ / ₈	17 ³ / ₈	19 ¹ / ₄	3 ³ / ₄	22	1 ¹ / ₈	1
SAW 23538	7 ¹ / ₂	10 ⁷ / ₈	3 ¹ / ₁₆	3 ²⁷ / ₃₂	15 ¹¹ / ₁₆	7.875	3 ¹ / ₈	21 ⁵ / ₈	24 ³ / ₈	4 ¹ / ₂	28	1 ³ / ₈	1 ¹ / ₄
SAF 22540	8	11 ¹ / ₄	3 ¹ / ₁₆	3 ¹ / ₂	16 ¹ / ₂	8.250	3 ³ / ₈	22 ¹ / ₂	25	5	29 ¹ / ₂	1 ³ / ₈	1 ¹ / ₄
SAF 22640	9	12 ³ / ₈	3 ¹ / ₁₆	4 ¹ / ₈	19 ¹ / ₂	9.875	4	26 ¹ / ₄	29 ¹ / ₂	5 ¹ / ₂	34 ¹ / ₄	1 ⁵ / ₈	1 ¹ / ₂
SAF 23040 KA x 7.3/16	6 ³ / ₄	9 ⁹ / ₁₆	0	3 ¹ / ₃₂	14 ³ / ₁₆	7.062	2 ³ / ₄	19 ³ / ₈	21 ⁵ / ₈	4 ¹ / ₄	24 ³ / ₄	1 ¹ / ₈	1
SAW 23540	8	11 ³ / ₈	3 ¹ / ₁₆	4 ¹ / ₁₆	16 ¹ / ₂	8.250	3 ³ / ₈	22 ¹ / ₂	25	5	29 ¹ / ₂	1 ³ / ₈	1 ¹ / ₄
SAF 22544	8 ³ / ₄	12	3 ¹ / ₁₆	3 ⁵ / ₈	18 ⁵ / ₈	9.500	3 ³ / ₄	24 ³ / ₄	27 ⁷ / ₈	5 ¹ / ₄	32 ³ / ₄	1 ⁵ / ₈	1 ¹ / ₂
SAF 23044 KA x 7.15/16	7 ¹ / ₂	10 ³ / ₄	0	3 ⁷ / ₃₂	15 ¹¹ / ₁₆	7.875	3 ¹ / ₈	21 ⁵ / ₈	24 ³ / ₈	4 ¹ / ₂	28	1 ³ / ₈	1 ¹ / ₄
SAW 23544	8 ³ / ₄	12 ¹ / ₈	3 ¹ / ₁₆	4 ¹⁵ / ₃₂	18 ⁵ / ₈	9.500	3 ³ / ₄	24 ³ / ₄	27 ⁷ / ₈	5 ¹ / ₄	32 ³ / ₄	1 ⁵ / ₈	1 ¹ / ₂
SAF 23048 KA x 8.15/16	8	11 ¹ / ₄	0	3 ⁹ / ₁₆	16 ¹ / ₂	8.250	3 ³ / ₈	22 ¹ / ₂	25	5	29 ¹ / ₂	1 ³ / ₈	1 ¹ / ₄
SAF 23052 KA x 9.7/16	8 ³ / ₄	12	0	3 ⁷ / ₈	18 ⁵ / ₈	9.500	3 ³ / ₄	24 ³ / ₄	27 ⁷ / ₈	5 ¹ / ₄	32 ³ / ₄	1 ⁵ / ₈	1 ¹ / ₂
SAF 23056 KA x 9.15/16	9	12 ³ / ₈	0	4	19 ¹ / ₂	9.875	4	26 ¹ / ₄	29 ¹ / ₂	5 ¹ / ₂	34 ¹ / ₄	1 ⁵ / ₈	1 ¹ / ₂
SAF 23056 KA x 10.7/16	9	12 ³ / ₈	0	4	19 ¹ / ₂	9.875	4	26 ¹ / ₄	29 ¹ / ₂	5 ¹ / ₂	34 ¹ / ₄	1 ⁵ / ₈	1 ¹ / ₂

8.3 SAF pillow blocks with CARB bearings on an adapter sleeve Series SAF C25(00), C26(00) and C30(00)

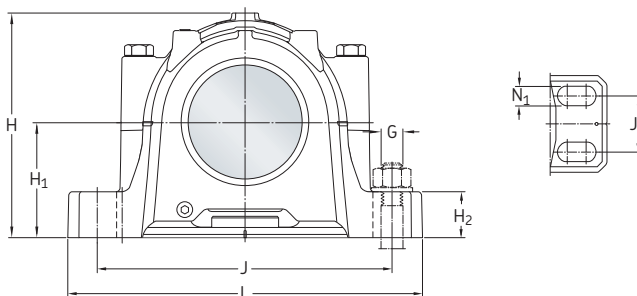
d_a 1 3/16 – 3 3/16 in.



Units of measurement
In this chapter only imperial units are used. To convert imperial units to metric units, refer to the conversion table on page 10.

Shaft diameter d	Complete pillow block	Components Pillow block housing	Bearing ¹⁾	Adapter assembly	Stabilizing ring (1 incl.)	Labyrinth ring (2 incl.)	Mass
in.	–	–					lb.
1 3/16	SAF C2507	SAF 507	C2207 KTN9	HA 307 E	36053-6	LER 14	8
1 7/16	SAF C2509	SAF 509	C2209 KTN9	HA 309 E	SR 9-9	LER 17	12
1 11/16	SAF C2510	SAF 510	C2210 KTN9	HA 310 E	SR 10-0	LER 20	13
1 15/16	SAF C2511	SAF 511	C2211 KTN9	HA 311 E	SR 11-0	LER 24	16
2 3/16	SAF C2513	SAF 513	C2213 KTN9	HA 313 E	SR 13-0	LER 29	23
2 7/16	SAF C2515	SAF 515	C2215 K	HA 315 E	SR 15-0	LOR 37	28
	SAF C2615	SAF 615	C2315 K	HA 2315	SR 18-15	LOR 37	52
	FSAF C2515	FSAF 515	C2215 K	HA 315 E	SR 15-0	LOR 37	28
	FSAF C2615	FSAF 615	C2315 K	HA 2315	SR 18-15	LOR 37	52
2 11/16	SAF C2516	SAF 516	C2216 K	HA 316 E	SR 16-13	LOR 44	37
	SAF C2616	SAF 616	C2316 K	HA 2316	SR 19-16	LOR 44	71
	FSAF C2516	FSAF 516	C2216 K	HA 316 E	SR 16-13	LOR 44	37
	FSAF C2616	FSAF 616	C2316 K	HA 2316	SR 19-16	LOR 44	71
2 15/16	SAF C2517	SAF 517	C2217 K	HA 317 E	SR 17-14	LOR 53	38
	SAF C2617	SAF 617	C2317 K	HA 2317	SR 20-17	LOR 184	75
	FSAF C2517	FSAF 517	C2217 K	HA 317 E	SR 17-14	LOR 53	38
	FSAF C2617	FSAF 617	C2317 K	HA 2317	SR 20-17	LOR 184	75
3 3/16	SAF C2518	SAF 518	C2218 K	HA 318 E	SR 18-15	LOR 188	46
	SAF C2618	SAF 618	C2318 K	HA 2318	SR 21-18	LOR 188	97
	FSAF C2518	FSAF 518	C2218 K	HA 318 E	SR 18-15	LOR 188	46

¹⁾ Optional internal radial clearance (e.g. C3) available on request



Complete pillow block

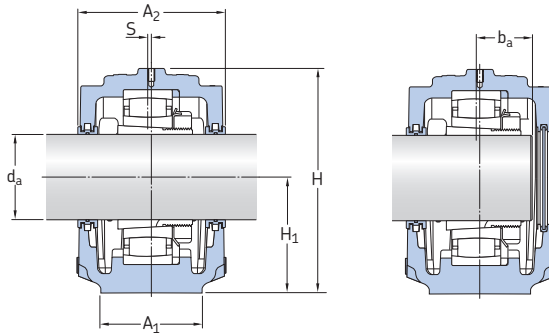
Designation

Dimensions

	A ₁	A ₂	S	b _a	H	H ₁	H ₂	J _{min}	J _{max}	J ₁	L	N ₁	G
–	in.												
SAF C2507	2	3 1/4	5/64	13/16	3 29/32	2.000	13/16	5 5/8	6 1/8	–	7 1/2	5/8	1/2
SAF C2509	2 3/8	3 1/2	7/64	1 3/32	4 7/16	2.250	13/16	6 1/4	7	–	8 1/4	5/8	1/2
SAF C2510	2 3/8	3 1/2	9/64	1 5/32	4 13/16	2.500	15/16	6 1/2	7	–	8 1/4	5/8	1/2
SAF C2511	2 3/4	3 7/8	1/8	1 13/64	5 1/4	2.750	15/16	7 3/8	8 1/4	–	9 5/8	3/4	5/8
SAF C2513	3 1/8	4 1/2	5/32	1 25/64	5 13/16	3.000	1	8 1/8	9 1/2	–	11	3/4	5/8
SAF C2515	3 1/8	4 11/16	1/8	1 7/16	6 7/32	3.250	1 1/8	8 5/8	9 5/8	–	11 1/4	3/4	5/8
SAF C2615	3 7/8	5 7/8	3/16	1 7/8	7 9/16	4.000	1 5/8	10 3/8	11 5/8	–	13 3/4	7/8	3/4
FSAF C2515	3 1/8	4 11/16	1/8	1 7/16	6 7/32	3.250	1 1/8	8 5/8	9 5/8	1 7/8	11 1/4	5/8	1/2
FSAF C2615	3 7/8	5 7/8	3/16	1 7/8	7 9/16	4.000	1 5/8	10 3/8	11 5/8	2 1/8	13 3/4	3/4	5/8
SAF C2516	3 1/2	5	3/16	1 15/32	6 11/16	3.500	1 1/4	9 5/8	11	–	13	7/8	3/4
SAF C2616	3 7/8	6 1/2	3/16	1 15/16	8 1/4	4.250	1 3/4	10 5/8	12 5/8	–	14 1/4	7/8	3/4
FSAF C2516	3 1/2	5	3/16	1 15/32	6 11/16	3.500	1 1/4	9 5/8	11	2 1/8	13	11/16	5/8
FSAF C2616	3 7/8	6 1/2	3/16	1 15/16	8 1/4	4.250	1 3/4	10 5/8	12 5/8	2 1/8	14 1/4	3/4	5/8
SAF C2517	3 1/2	5	3/16	1 9/16	7 1/8	3.750	1 1/4	9 7/8	11	–	13	7/8	3/4
SAF C2617	4 3/8	6 3/4	3/16	2 1/16	8 3/4	4.500	1 3/4	11 5/8	13 1/8	–	15 1/4	1	7/8
FSAF C2517	3 1/2	5	3/16	1 9/16	7 1/8	3.750	1 1/4	9 7/8	11	2 1/8	13	3/4	5/8
FSAF C2617	4 3/8	6 3/4	3/16	2 1/16	8 3/4	4.500	1 3/4	11 5/8	13 1/8	2 3/8	15 1/4	7/8	3/4
SAF C2518	3 7/8	5 7/8	3/16	1 3/4	7 19/32	4.000	1 5/8	10 1/4	11 3/4	–	13 3/4	7/8	3/4
SAF C2618	4 3/8	6 7/8	3/16	2 3/16	9 1/4	4.750	2	12	13 1/2	2 1/4	15 1/2	7/8	3/4
FSAF C2518	3 7/8	5 7/8	3/16	1 3/4	7 19/32	4.000	1 5/8	10 3/8	11 5/8	2 1/8	13 3/4	11/16	5/8

8.3 SAF pillow blocks with CARB bearings on an adapter sleeve Series SAF C25(00), C26(00) and C30(00)

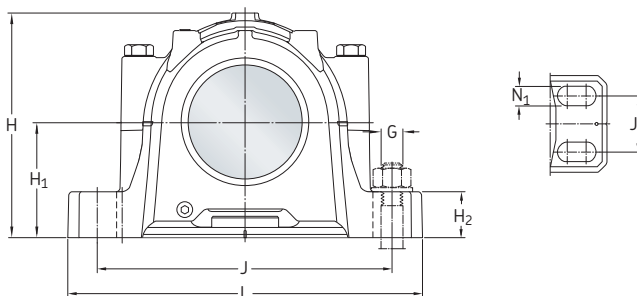
d_a 3 7/16 – 10 7/16 in.



Shaft diameter d	Complete pillow block	Components Pillow block housing	Bearing ¹⁾	Adapter assembly	Stabilizing ring (1 incl.)	Labyrinth ring (2 incl.)	Mass
in.	–	–					lb.
3 7/16	SAF C2520	SAF 520	C 2220 K	HA 320 E	SR 20-17	LOR 102	61
	SAF C2620	SAF 620	C 2320 K	HA 2320	SR 24-20	LOR 102	113
	FSAF C2520	FSAF 520	C 2220 K	HA 320 E	SR 20-17	LOR 102	61
3 15/16	SAF C2522	SAF 522	C 2222 K	H 322 E	SR 22-19	LOR 109	72
4 7/16	SAF C2526	SAF 526	C 2226 K	HA 3126 E	SR 26-0	LOR 117	143
4 15/16	SAF C2528	SAF 528	C 2228 K	HA 3128 E	SR 28-0	LOR 122	155
5 3/16	SAF C2530	SAF 530	C 2230 K	HA 3130 L	SR 30-0	LOR 125	194
5 15/16	SAF C2534	SAF 534	C 2234 K	HA 3134 L	SR 34-0	LOR 140	273
6 7/16	SAF C3036 KA x 6.7/16	SAF 036 KA x 6.7/16	C 3036 K	HA 3036	38151-36 ²⁾	LOR 148	272
6 15/16	SAF C2538	SAF 538	C 2238 K	HA 3138	SR 38-32	LOR 155	364
	SAF C3038 KA x 6.15/16	SAF 038 KA x 6.15/16	C 3038 K	HA 3038	38151-38 ²⁾	LOR 155	284
7 3/16	SAF C3040 KA x 7.3/16	SAF 040 KA x 7.3/16	C 3040 K	HA 3040	38151-40 ²⁾	LOR 159	367
7 15/16	SAF C2544	SAF 544	C 2244 K	H 3144/201.612	SR 44-38	LOR 167	569
	SAF C3044 KA x 7.15/16	SAF 044 KA x 7.15/16	C 3044 K	H 3044/201.6	36053-140 ²⁾	LOR 167	386
8 15/16	SAF C3048 KA x 8.15/16	SAF 048 KA x 8.15/16	C 3048 K	H 3048/227	A-8897 ²⁾	LOR 552	474
9 7/16	SAF C3052 KA x 9.7/16	SAF 052 KA x 9.7/16	C 3052 K	H 3052/239.7	A-8898 ²⁾	LOR 553	530
9 15/16	SAF C3056 KA x 9.15/16	SAF 056 KA x 9.15/16	C 3056 K	H 3056/252.4	A-8819 ²⁾	LOR 607	800
10 7/16	SAF C3056 KA x 10.7/16	SAF 056 KA x 10.7/16	C 3056 K	H 3056/265.1	A-8819 ²⁾	LOR 606	800

¹⁾ Optional internal radial clearance (e.g. C3) available on request

²⁾ Two stabilizing rings are required, but none are included.



Complete pillow block

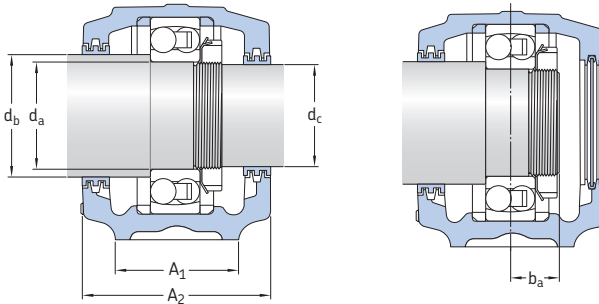
Designation

Dimensions

	A ₁	A ₂	S	b _a	H	H ₁	H ₂	J _{min}	J _{max}	J ₁	L	N ₁	G
–	in.												
SAF C2520	4 3/8	6 1/32	3/16	1 59/64	8 9/16	4.500	1 3/4	11 5/8	13 1/8	–	15 1/4	1	7/8
SAF C2620	4 3/4	7 5/16	3/16	2 7/16	10 3/16	5.250	2 1/8	13 1/4	14 1/2	2 3/4	16 1/2	7/8	3/4
FSAF C2520	4 3/8	6 1/32	3/16	1 59/64	8 9/16	4.500	1 3/4	11 5/8	13 1/8	2 3/8	15 1/4	13/16	3/4
SAF C2522	4 3/4	6 1/2	3/16	2 1/8	9 7/16	4.938	2	12 5/8	14 1/2	2 3/4	16 1/2	7/8	3/4
SAF C2526	5 1/4	7 5/8	3/16	2 15/32	11 5/8	6.000	2 3/8	14 5/8	16	3 1/4	18 3/8	15/16	7/8
SAF C2528	5 7/8	7 5/8	3/16	2 29/64	12 1/32	6.000	2 3/8	15 5/8	17 3/8	3 3/8	20 1/8	1 1/8	1
SAF C2530	6 1/4	8 1/2	3/16	2 39/64	12 5/8	6.312	2 1/2	17	18 1/4	3 3/4	21 1/4	1 1/8	1
SAF C2534	6 3/4	9 9/16	3/16	3 1/8	14 3/16	7.062	2 3/4	19 3/8	21 5/8	4 1/4	24 3/4	1 1/8	1
SAF C3036 KA x 6.7/16	6 1/4	8 3/4	0	2 25/32	13 1/4	6.688	2 5/8	17 3/8	19 1/4	3 3/4	22	1 1/8	1
SAF C2538	7 1/2	10 3/4	3/16	3 19/64	15 11/16	7.875	3 1/8	21 5/8	24 3/8	4 1/2	28	1 3/8	1 1/4
SAF C3038 KA x 6.15/16	6 1/4	8 3/4	0	2 13/16	13 1/4	6.688	2 5/8	17 3/8	19 1/4	3 3/4	22	1 1/8	1
SAF C3040 KA x 7.3/16	6 3/4	9 9/16	0	3 1/32	14 3/16	7.062	2 3/4	19 3/8	21 5/8	4 1/4	24 3/4	1 1/8	1
SAF C2544	8 3/4	12	3/16	3 5/8	18 5/8	9.500	3 3/4	24 3/4	27 7/8	5 1/4	32 3/4	1 5/8	1 1/2
SAF C3044 KA x 7.15/16	7 1/2	10 3/4	0	3 7/32	15 11/16	7.875	3 1/8	21 5/8	24 3/8	4 1/2	28	1 3/8	1 1/4
SAF C3048 KA x 8.15/16	8	11 1/4	0	3 9/16	16 1/2	8.250	3 3/8	22 1/2	25	5	29 1/2	1 3/8	1 1/4
SAF C3052 KA x 9.7/16	8 3/4	12	0	3 7/8	18 5/8	9.500	3 3/4	24 3/4	27 7/8	5 1/4	32 3/4	1 5/8	1 1/2
SAF C3056 KA x 9.15/16	9	12 3/8	0	4	19 1/2	9.875	4	26 1/4	29 1/2	5 1/2	34 1/4	1 5/8	1 1/2
SAF C3056 KA x 10.7/16	9	12 3/8	0	4	19 1/2	9.875	4	26 1/4	29 1/2	5 1/2	34 1/4	1 5/8	1 1/2

8.4 SAF pillow blocks with self-aligning ball bearings on a cylindrical seat Series SAF 13(00)

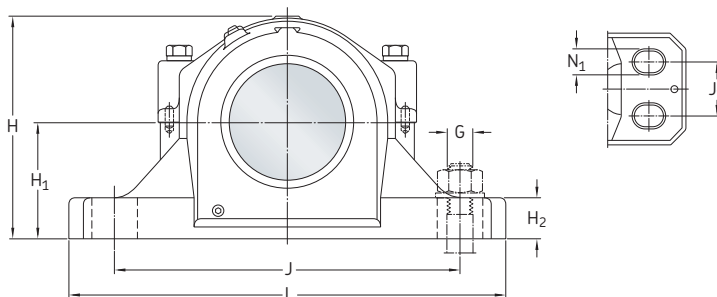
d_a 40 – 110 mm



Units of measurement
In this chapter only imperial units are used. To convert imperial units to metric units, refer to the conversion table on page 10.

Shaft diameter			Complete pillow block	Components		Stabilizing ring	Labyrinth seals	Lock nut	Locking washer	Mass	
d_a	d_b	d_c		Pillow block housing	Bearing ¹⁾						Shaft diameter d_b
mm	in.		–	–		(2 required)				lb.	
40	1 ¹⁵ / ₁₆	1 ⁷ / ₁₆	SAF 1308	SAF 308	1308 E	SR 1608	LER 24	LER 17	N 08	W 08	14
45	2 ¹ / ₈	1 ¹¹ / ₁₆	SAF 1309	SAF 309	1309 E	SR 1609	LER 28	LER 20	N 09	W 09	18
50	2 ³ / ₈	1 ⁷ / ₈	SAF 1310	SAF 310	1310 E	SR 1610	LER 35	LER 23	N 10	W 10	21
55	2 ⁹ / ₁₆	2 ¹ / ₁₆	SAF 1311	SAF 311	1311 E	SR 1611	LER 40	LER 27	N 11	W 11	25
			FSAF 1311	FSAF 311	1311 E	SR 1611	LER 40	LER 27	N 11	W 11	25
60	2 ⁷ / ₈	2 ¹ / ₄	SAF 1312	SAF 312	1312 E	SR 1612	LOR 47	LOR 33	N 12	W 12	29
			FSAF 1312	FSAF 312	1312 E	SR 1612	LOR 47	LOR 33	N 12	W 12	29
65	3 ¹ / ₁₆	2 ⁷ / ₁₆	SAF 1313	SAF 313	1313 E	SR 1613	LOR 55	LOR 37	N 13	W 13	35
			FSAF 1313	FSAF 313	1313 E	SR 1613	LOR 55	LOR 37	N 13	W 13	35
70	3 ¹ / ₄	2 ⁵ / ₈	SAF 1314	SAF 314	1314	SR 1614	LOR 64	LOR 43	N 14	W 14	40
			FSAF 1314	FSAF 314	1314	SR 1614	LOR 64	LOR 43	N 14	W 14	40
75	3 ⁷ / ₁₆	2 ¹³ / ₁₆	SAF 1315	SAF 315	1315	SR 1615	LOR 79	LOR 46	AN 15	W 15	44
			FSAF 1315	FSAF 315	1315	SR 1615	LOR 79	LOR 46	AN 15	W 15	44
80	3 ⁵ / ₈	3	SAF 1316	SAF 316	1316	SR 1616	LOR 84	LOR 60	AN 16	W 16	63
			FSAF 1316	FSAF 316	1316	SR 1616	LOR 84	LOR 60	AN 16	W 16	63
85	3 ¹⁵ / ₁₆	3 ³ / ₁₆	SAF 1317	SAF 317	1317	SR 1617	LOR 109	LOR 188	AN 17	W 17	66
			FSAF 1317	FSAF 317	1317	SR 1617	LOR 109	LOR 188	AN 17	W 17	66
90	4 ¹ / ₈	3 ³ / ₈	SAF 1318	SAF 318	1318	SR 1618	LOR 112	LOR 191	AN 18	W 18	86
100	4 ¹ / ₂	3 ¹³ / ₁₆	SAF 1320	SAF 320	1320	SR 1620	LOR 118	LOR 106	AN 20	W 20	97
110	4 ⁷ / ₈	4 ³ / ₁₆	SAF 1322	SAF 322	1322	SR 1622	LOR 121	LOR 113	AN 22	W 22	132

¹⁾ Optional internal radial clearance (e.g. C3) available on request



Complete pillow block

Designation

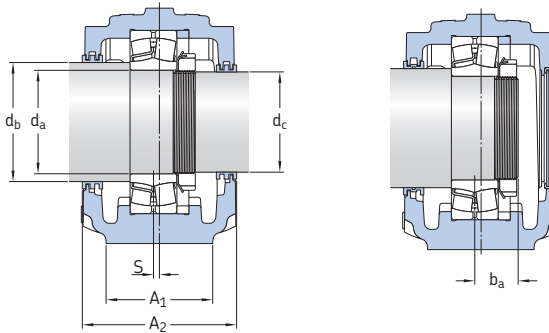
Dimensions

	A ₁	A ₂	b _a	H	H ₁	H ₂	J _{min}	J _{max}	J ₁	L	N ₁	G
–	in.											
SAF 1308	2 ³ / ₈	4	1 ¹ / ₆₄	4 ¹³ / ₁₆	2.500	1	6 ¹ / ₂	7	–	8 ¹ / ₄	5/8	1/2
SAF 1309	2 ³ / ₄	4 ¹ / ₄	1 ¹ / ₁₆	5 ⁵ / ₁₆	2.750	1	7 ³ / ₈	7 ⁷ / ₈	–	9 ⁵ / ₈	3/4	5/8
SAF 1310	2 ³ / ₄	4 ⁵ / ₈	1 ⁵ / ₃₂	5 ¹³ / ₁₆	3.000	11/8	7 ³ / ₄	9	–	10 ⁵ / ₈	3/4	5/8
SAF 1311	3 ¹ / ₈	5	1 ³ / ₁₆	6 ³ / ₁₆	3.250	1 ³ / ₁₆	8 ¹ / ₈	9 ¹ / ₂	–	11	3/4	5/8
FSAF 1311	3 ¹ / ₈	5	1 ³ / ₁₆	6 ³ / ₁₆	3.250	1 ³ / ₁₆	8 ¹ / ₈	9 ¹ / ₂	2	11	5/8	1/2
SAF 1312	3 ¹ / ₈	5 ¹ / ₄	1 ¹ / ₄	6 ³ / ₈	3.250	1 ³ / ₁₆	9 ⁵ / ₈	8 ⁵ / ₈	–	11 ¹ / ₄	3/4	5/8
FSAF 1312	3 ¹ / ₈	5 ¹ / ₄	1 ¹ / ₄	6 ³ / ₈	3.250	1 ³ / ₁₆	9 ⁵ / ₈	8 ⁵ / ₈	17/8	11 ¹ / ₄	5/8	1/2
SAF 1313	3 ¹ / ₂	5 ⁵ / ₁₆	1 ¹¹ / ₃₂	6 ¹⁹ / ₃₂	3.500	1 ¹ / ₄	9 ⁵ / ₈	11	–	13	7/8	3/4
FSAF 1313	3 ¹ / ₂	5 ⁵ / ₁₆	1 ¹¹ / ₃₂	6 ¹⁹ / ₃₂	3.500	1 ¹ / ₄	9 ⁵ / ₈	11	2 ¹ / ₈	13	3/4	5/8
SAF 1314	3 ¹ / ₂	5 ³ / ₈	1 ³ / ₈	7 ³ / ₈	3.750	1 ¹ / ₄	9 ⁷ / ₈	11	–	13	7/8	3/4
FSAF 1314	3 ¹ / ₂	5 ³ / ₈	1 ³ / ₈	7 ³ / ₈	3.750	1 ¹ / ₄	9 ⁷ / ₈	11	2 ¹ / ₈	13	3/4	5/8
SAF 1315	3 ⁷ / ₈	5 ⁷ / ₈	1 ¹⁵ / ₃₂	7 ⁹ / ₁₆	4.000	1 ⁵ / ₈	10 ³ / ₈	11 ⁵ / ₈	–	13 ³ / ₄	7/8	3/4
FSAF 1315	3 ⁷ / ₈	5 ⁷ / ₈	1 ¹⁵ / ₃₂	7 ⁹ / ₁₆	4.000	1 ⁵ / ₈	10 ³ / ₈	11 ⁵ / ₈	2 ¹ / ₈	13 ³ / ₄	3/4	5/8
SAF 1316	3 ⁷ / ₈	6 ¹ / ₂	1 ¹ / ₂	8 ¹ / ₄	4.250	1 ³ / ₄	10 ⁵ / ₈	12 ⁵ / ₈	–	14 ¹ / ₄	7/8	3/4
FSAF 1316	3 ⁷ / ₈	6 ¹ / ₂	1 ¹ / ₂	8 ¹ / ₄	4.250	1 ³ / ₄	10 ⁵ / ₈	12 ⁵ / ₈	2 ¹ / ₈	14 ¹ / ₄	3/4	5/8
SAF 1317	4 ³ / ₈	6 ³ / ₄	1 ⁹ / ₁₆	8 ³ / ₄	4.500	1 ³ / ₄	11 ⁵ / ₈	13 ¹ / ₈	–	15 ¹ / ₄	1	7/8
FSAF 1317	4 ³ / ₈	6 ³ / ₄	1 ⁹ / ₁₆	8 ³ / ₄	4.500	1 ³ / ₄	11 ⁵ / ₈	13 ¹ / ₈	2 ³ / ₈	15 ¹ / ₄	7/8	3/4
SAF 1318	4 ³ / ₈	6 ⁷ / ₈	1 ¹¹ / ₁₆	9 ¹ / ₄	4.750	2	12	13 ¹ / ₂	2 ¹ / ₄	15 ¹ / ₂	7/8	3/4
SAF 1320	4 ³ / ₄	7 ³ / ₈	1 ²⁷ / ₃₂	10 ³ / ₁₆	5.250	2 ¹ / ₈	13 ¹ / ₄	14 ¹ / ₂	2 ³ / ₄	16 ¹ / ₂	7/8	3/4
SAF 1322	5 ¹ / ₄	8 ¹ / ₈	1 ¹⁵ / ₁₆	11 ⁵ / ₁₆	6.000	2 ³ / ₈	14 ⁵ / ₈	16	3 ¹ / ₄	18 ³ / ₈	1	7/8

8.5 SAF and SAW pillow blocks with spherical roller bearings on a cylindrical seat

Series SAF 222(00), 223(00) and SAW series 232(00)

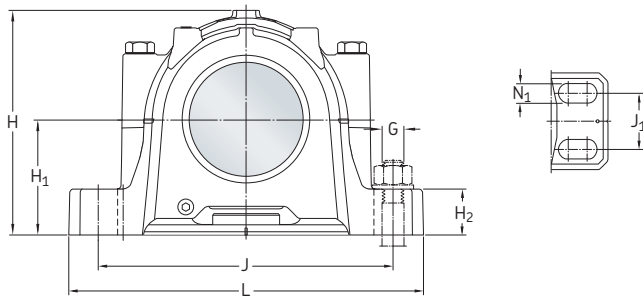
d_a 40 – 75 mm



Units of measurement
In this chapter only imperial units are used. To convert imperial units to metric units, refer to the conversion table on page 10.

Shaft diameter			Complete pillow block	Components		Stabilizing ring (1 incl.)	Labyrinth seals Shaft diameter d_b	Lock nut Shaft diameter d_c	Locking washer	Mass	
d_a	d_b	d_c		Pillow block housing	Bearing ¹⁾						
mm	in.		–	–						lb.	
40	1 ¹⁵ / ₁₆	1 ⁷ / ₁₆	SAF 22308	SAF 308	22308 E	SR 10-8	LER 24	LER 17	N 08	W 08	15
45	2 ¹ / ₈	1 ¹¹ / ₁₆	SAF 22309	SAF 309	22309 E	SR 11-9	LER 28	LER 20	N 09	W 09	19
50	2 ³ / ₈	1 ⁷ / ₈	SAF 22310	SAF 310	22310 E	SR 0-10	LER 35	LER 23	N 10	W 10	22
55	2 ⁹ / ₁₆	2 ¹ / ₁₆	SAF 22311	SAF 311	22311 E	SR 13-11	LER 40	LER 27	N 11	W 11	27
			FSAF 22311	FSAF 311	22311 E	SR 13-11	LER 40	LER 27	N 11	W 11	27
60	2 ⁷ / ₈	2 ¹ / ₄	SAF 22312	SAF 312	22312 E	SR 15-12	LOR 47	LOR 33	N 12	W 12	31
			FSAF 22312	FSAF 312	22312 E	SR 15-12	LOR 47	LOR 33	N 12	W 12	31
65	3 ¹ / ₁₆	2 ⁷ / ₁₆	SAF 22213	SAF 213	22213 E	SR 13-0	LOR 55	LOR 37	N 13	W 13	22
			SAF 22313	SAF 313	22313 E	SR 16-13	LOR 55	LOR 37	N 13	W 13	38
			FSAF 22313	FSAF 313	22313 E	SR 16-13	LOR 55	LOR 37	N 13	W 13	38
70	3 ¹ / ₄	2 ⁵ / ₈	SAF 22314	SAF 314	22314 CC/W33	SR 17-14	LOR 64	LOR 43	N 14	W 14	42
			FSAF 22314	FSAF 314	22314 CC/W33	SR 17-14	LOR 64	LOR 43	N 14	W 14	42
75	3 ⁷ / ₁₆	2 ¹³ / ₁₆	SAF 22215	SAF 215	22215 E	SR 15-0	LOR 79	LOR 46	AN 15	W 15	27
			SAF 22315	SAF 315	22315 CC/W33	SR 18-15	LOR 79	LOR 46	AN 15	W 15	48
	3 ⁷ / ₁₆	2 ¹³ / ₁₆	FSAF 22215	FSAF 215	22215 E	SR 15-0	LOR 79	LOR 46	AN 15	W 15	27
			FSAF 22315	FSAF 315	22315 CC/W33	SR 18-15	LOR 79	LOR 46	AN 15	W 15	48

¹⁾ Optional internal radial clearance (e.g. C3) available on request



Complete pillow block

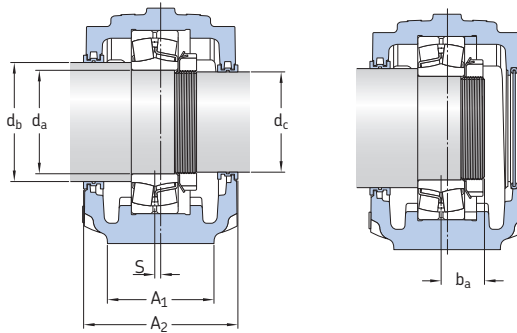
Designation Dimensions

	A ₁	A ₂	S	b _a	H	H ₁	H ₂	J _{min}	J _{max}	J ₁	L	N ₁	G
–	in.												
SAF 22308	2 ³ / ₈	4	3 ¹ / ₁₆	1 ⁵ / ₃₂	4 ¹³ / ₁₆	2.500	1	6 ¹ / ₂	7	–	8 ¹ / ₄	5 ⁵ / ₈	1 ¹ / ₂
SAF 22309	2 ³ / ₄	4 ¹ / ₄	3 ¹ / ₁₆	1 ⁵ / ₁₆	5 ⁵ / ₁₆	2.750	1	7 ³ / ₈	7 ⁷ / ₈	–	9 ⁵ / ₈	3 ³ / ₄	5 ⁵ / ₈
SAF 22310	2 ³ / ₄	4 ⁵ / ₈	3 ¹ / ₁₆	1 ⁷ / ₁₆	5 ¹³ / ₁₆	3.000	1 ¹ / ₈	7 ³ / ₄	9	–	10 ⁵ / ₈	3 ³ / ₄	5 ⁵ / ₈
SAF 22311	3 ¹ / ₈	4 ⁷ / ₈	3 ¹ / ₁₆	1 ¹ / ₂	6 ³ / ₁₆	3.250	1 ³ / ₁₆	8 ¹ / ₈	9 ¹ / ₂	–	11	3 ³ / ₄	5 ⁵ / ₈
FSAF 22311	3 ¹ / ₈	4 ⁷ / ₈	3 ¹ / ₁₆	1 ¹ / ₂	6 ³ / ₁₆	3.250	1 ³ / ₁₆	8 ¹ / ₈	9 ¹ / ₂	2	11	5 ⁵ / ₈	1 ¹ / ₂
SAF 22312	3 ¹ / ₈	5 ¹ / ₄	3 ¹ / ₁₆	1 ⁹ / ₁₆	6 ³ / ₈	3.250	1 ³ / ₁₆	8 ⁵ / ₈	9 ⁵ / ₈	–	11 ¹ / ₄	3 ³ / ₄	5 ⁵ / ₈
FSAF 22312	3 ¹ / ₈	5 ¹ / ₄	3 ¹ / ₁₆	1 ⁹ / ₁₆	6 ³ / ₈	3.250	1 ³ / ₁₆	8 ⁵ / ₈	9 ⁵ / ₈	1 ⁷ / ₈	11 ¹ / ₄	5 ⁵ / ₈	1 ¹ / ₂
SAF 22213	3 ¹ / ₈	4 ¹ / ₂	5 ⁵ / ₃₂	1 ²⁵ / ₆₄	5 ¹³ / ₁₆	3.000	1	8 ¹ / ₈	9 ¹ / ₂	–	11	3 ³ / ₄	5 ⁵ / ₈
SAF 22313	3 ¹ / ₂	5 ⁵ / ₁₆	3 ¹ / ₁₆	1 ¹¹ / ₁₆	6 ¹⁹ / ₃₂	3.500	1 ¹ / ₄	9 ⁵ / ₈	11	–	13	7 ⁷ / ₈	3 ³ / ₄
FSAF 22313	3 ¹ / ₂	5 ⁵ / ₁₆	3 ¹ / ₁₆	1 ¹¹ / ₁₆	6 ¹⁹ / ₃₂	3.500	1 ¹ / ₄	9 ⁵ / ₈	11	2 ¹ / ₈	13	3 ³ / ₄	5 ⁵ / ₈
SAF 22314	3 ¹ / ₂	5 ³ / ₈	3 ¹ / ₁₆	1 ¹¹ / ₁₆	7 ³ / ₈	3.750	1 ¹ / ₄	9 ⁷ / ₈	11	–	13	7 ⁷ / ₈	3 ³ / ₄
FSAF 22314	3 ¹ / ₂	5 ³ / ₈	3 ¹ / ₁₆	1 ¹¹ / ₁₆	7 ³ / ₈	3.750	1 ¹ / ₄	9 ⁷ / ₈	11	2 ¹ / ₈	13	3 ³ / ₄	5 ⁵ / ₈
SAF 22215	3 ¹ / ₈	4 ¹¹ / ₁₆	1 ¹ / ₈	1 ⁷ / ₁₆	6 ⁷ / ₃₂	3.250	1 ¹ / ₈	8 ⁵ / ₈	9 ⁵ / ₈	–	11 ¹ / ₄	3 ³ / ₄	5 ⁵ / ₈
SAF 22315	3 ⁷ / ₈	5 ⁷ / ₈	3 ¹ / ₁₆	1 ⁷ / ₈	7 ⁹ / ₁₆	4.000	1 ⁵ / ₈	10 ³ / ₈	11 ⁵ / ₈	–	13 ³ / ₄	7 ⁷ / ₈	3 ³ / ₄
FSAF 22215	3 ¹ / ₈	4 ¹¹ / ₁₆	1 ¹ / ₈	1 ⁷ / ₁₆	6 ⁷ / ₃₂	3.250	1 ¹ / ₈	8 ⁵ / ₈	9 ⁵ / ₈	1 ⁷ / ₈	11 ¹ / ₄	5 ⁵ / ₈	1 ¹ / ₂
FSAF 22315	3 ⁷ / ₈	5 ⁷ / ₈	3 ¹ / ₁₆	1 ⁷ / ₈	7 ⁹ / ₁₆	4.000	1 ⁵ / ₈	10 ³ / ₈	11 ⁵ / ₈	2 ¹ / ₈	13 ³ / ₄	3 ³ / ₄	5 ⁵ / ₈

8.5 SAF and SAW pillow blocks with spherical roller bearings on a cylindrical seat

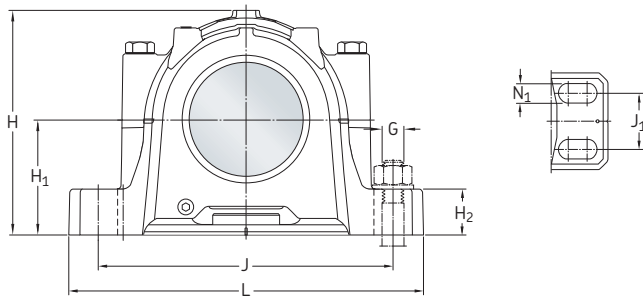
Series SAF 222(00), 223(00) and SAW series 232(00)

d_a 80 – 110 mm



Shaft diameter			Complete pillow block	Components		Stabilizing ring (1 incl.)	Labyrinth seals Shaft diameter d_b	Lock nut	Locking washer	Mass	
d_a	d_b	d_c		Pillow block housing	Bearing ¹⁾						Lock nut
mm	in.		–	–						lb.	
80	3 5/8	3	SAF 22216	SAF 216	22216 E	SR16-13	LOR 82	LOR 54	AN 16	W 16	34
			SAF 22316	SAF 316	22316 CC/W33	SR19-16	LOR 84	LOR 60	AN 16	W 16	67
	3 5/8	3	FSAF 22216	FSAF 216	22216 E	SR16-13	LOR 82	LOR 54	AN 16	W 16	34
			FSAF 22316	FSAF 316	22316 CC/W33	SR19-16	LOR 84	LOR 60	AN 16	W 16	67
85	3 15/16	3 3/16	SAF 22217	SAF 217	22217 E	SR17-14	LOR 89	LOR 63	AN 17	W 17	37
			SAF 22317	SAF 317	22317 CC/W33	SR20-17	LOR109	LOR188	AN 17	W 17	71
	3 15/16	3 3/16	FSAF 22217	FSAF 217	22217 E	SR17-14	LOR 89	LOR 63	AN 17	W 17	35
			FSAF 22317	FSAF 317	22317 CC/W33	SR20-17	LOR109	LOR188	AN 17	W 17	71
90	4 1/8	3 3/8	SAF 22218	SAF 218	22218 E	SR18-15	LOR 112	LOR191	AN 18	W 18	44
			SAF 22318	SAF 318	22318 CC/W33	SR21-18	LOR 112	LOR191	AN 18	W 18	92
	4 1/8	3 3/8	FSAF 22218	FSAF 218	22218 E	SR18-15	LOR112	LOR191	AN 18	W 18	44
			SAW 23218	SAW 218	23218 CC/W33	SR18-15	LOR112	LOR191	AN 18	W 18	48
100	4 1/2	3 13/16	SAF 22220	SAF 220	22220 E	SR20-17	LOR 118	LOR106	AN 20	W 20	59
			SAF 22320	SAF 320	22320 CC/W33	SR24-20	LOR 118	LOR106	AN 20	W 20	107
	4 1/2	3 13/16	FSAF 22220	FSAF 220	22220 E	SR20-17	LOR 118	LOR106	AN 20	W 20	59
			SAW 23220	SAW 220	23220 CC/W33	SR20-17	LOR 118	LOR106	AN 20	W 20	80
110	4 7/8	4 3/16	SAF 22222	SAF 222	22222 E	SR22-19	LOR121	LOR113	AN 22	W 22	68
			SAF 22322	SAF 322	22322 CC/W33	SR0-22	LOR121	LOR113	AN 22	W 22	145
			SAWS 23222	SAWS 222	23222 CC/W33	SR22-19	LOR121	LOR113	AN 22	W 22	91

¹⁾ Optional internal radial clearance (e.g. C3) available on request



Complete pillow block

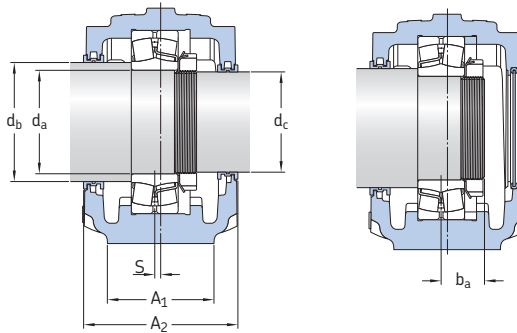
Designation Dimensions

	A ₁	A ₂	S	b _a	H	H ₁	H ₂	J _{min}	J _{max}	J ₁	L	N ₁	G
–	in.												
SAF 22216	3 1/2	5	3/16	1 15/32	6 11/16	3.500	1 1/4	9 5/8	11	–	13	7/8	3/4
SAF 22316	3 7/8	6 1/2	3/16	1 15/16	8 1/4	4.250	1 3/4	10 5/8	12 5/8	–	14 1/4	7/8	3/4
FSAF 22216	3 1/2	5	3/16	1 15/32	6 11/16	3.500	1 1/4	9 5/8	11	2 1/8	13	11/16	5/8
FSAF 22316	3 7/8	6 1/2	3/16	1 15/16	8 1/4	4.250	1 3/4	10 5/8	12 5/8	2 1/8	14 1/4	3/4	5/8
SAF 22217	3 1/2	5	3/16	1 9/16	7 1/8	3.750	1 1/4	9 7/8	11	–	13	7/8	3/4
SAF 22317	4 3/8	6 3/4	3/16	2 1/16	8 3/4	4.500	1 3/4	11 5/8	13 1/8	–	15 1/4	1	7/8
FSAF 22217	3 1/2	5	3/16	1 9/16	7 1/8	3.750	1 1/4	9 7/8	11	2 1/8	13	3/4	5/8
FSAF 22317	4 3/8	6 3/4	3/16	2 1/16	8 3/4	4.500	1 3/4	11 5/8	13 1/8	2 3/8	15 1/4	7/8	3/4
SAF 22218	3 7/8	5 7/8	3/16	1 3/4	7 19/32	4.000	1 5/8	10 1/4	11 3/4	–	13 3/4	7/8	3/4
SAF 22318	4 3/8	6 7/8	3/16	2 3/16	9 1/4	4.750	2	12	13 1/2	2 1/4	15 1/2	7/8	3/4
FSAF 22218	3 7/8	5 7/8	3/16	1 3/4	7 19/32	4.000	1 5/8	10 3/8	11 5/8	2 1/8	13 3/4	11/16	5/8
SAW 23218	3 7/8	5 7/8	3/16	1 29/32	7 19/32	4.000	1 5/8	10 3/8	11 5/8	2 1/8	13 3/4	11/16	5/8
SAF 22220	4 3/8	6 1/2	3/16	1 59/64	8 9/16	4.500	1 3/4	11 5/8	13 1/8	–	15 1/4	1	7/8
SAF 22320	4 3/4	7 5/16	3/16	2 7/16	10 3/16	5.250	2 1/8	13 1/4	14 1/2	2 3/4	16 1/2	7/8	3/4
FSAF 22220	4 3/8	6 1/2	3/16	1 59/64	8 9/16	4.500	1 3/4	11 5/8	13 1/8	2 3/8	15 1/4	13/16	3/4
SAW 23220	4 3/8	6 3/16	3/16	2 1/16	8 3/4	4.500	1 3/4	11 5/8	13 1/8	2 3/8	15 1/4	5/8	1/2
SAF 22222	4 3/4	6 1/2	3/16	2 1/8	9 7/16	4.938	2	12 5/8	14 1/2	2 3/4	16 1/2	7/8	3/4
SAF 22322	5 1/4	8 1/8	3/16	2 5/8	11 5/16	6.000	2 3/8	14 5/8	16	3 1/4	18 3/8	1	7/8
SAWS 23222	4 3/4	7 7/8	3/16	2 3/8	9 5/8	4.938	2	12 5/8	14 1/2	2 3/4	16 1/2	7/8	3/4

8.5 SAF and SAW pillow blocks with spherical roller bearings on a cylindrical seat

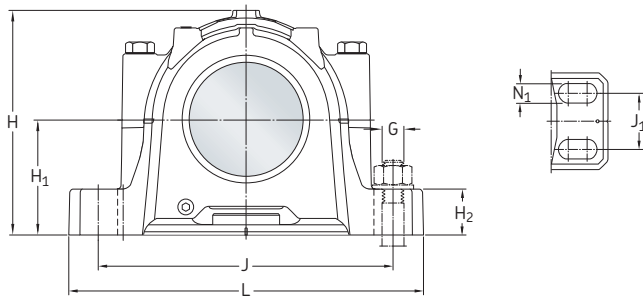
Series SAF 222(00), 223(00) and SAW series 232(00)

d_a 120 – 180 mm



Shaft diameter			Complete pillow block	Components		Stabilizing ring (1 incl.)	Labyrinth seals Shaft diameter d_b	Seals Shaft diameter d_c	Lock nut	Locking washer	Mass
d_a	d_b	d_c		Pillow block housing	Bearing ¹⁾						
mm	in.		–	–							lb.
120	5 5/16	4 9/16	SAF 22224	SAF 224	22224 E	SR 24-20	LOR 127	LOR 119	AN 24	W 24	97
			SAF 22324	SAF 324	22324 CC/W33	SR 0-24	LOR 127	LOR 119	AN 24	W 24	201
			SAW 23224	SAW 224	23224 CC/W33	SR 24-20	LOR 127	LOR 119	AN 24	W 24	105
130	5 7/8	4 15/16	SAF 22226	SAF 226	22226 E	SR 26-0	LOR 136	LOR 122	AN 26	W 26	134
			SAF 22326	SAF 326	22326 CC/W33	SR 0-26	LOR 136	LOR 122	AN 26	W 26	221
			SAW 23226	SAW 226	23226 CC/W33	SR 26-0	LOR 136	LOR 122	AN 26	W 26	155
140	6 1/4	5 5/16	SAF 22228	SAF 228	22228 CC/W33	SR 28-0	LOR 144	LOR 127	AN 28	W 28	149
			SAF 22328	SAF 328	22328 CC/W33	SR 0-28	LOR 144	LOR 127	AN 28	W 28	283
			SAW 23228	SAW 228	23228 CC/W33	SR 28-0	LOR 144	LOR 127	AN 28	W 28	180
150	6 5/8	5 3/4	SAF 22230	SAF 230	22230 CC/W33	SR 30-0	LOR 151	LOR 134	AN 30	W 30	187
			SAF 22330	SAF 330	22330 CC/W33	SR 36-30	LOR 151	LOR 134	AN 30	W 30	313
160	7	6 1/16	SAF 22232	SAF 232	22232 CC/W33	SR 32-0	LOR 156	LOR 142	AN 32	W 32	208
			SAF 22332	SAF 332	22332 CC/W33	SR 38-32	LOR 156	LOR 142	AN 32	W 32	385
170	7 7/16	6 7/16	SAF 22234	SAF 234	22234 CC/W33	SR 34-0	LOR 161	LOR 148	AN 34	W 34	263
			SAF 22334	SAF 334	22334 CC/W33	SR 40-34	LOR 161	LOR 148	AN 34	W 34	449
180	7 13/16	6 7/8	SAF 22236	SAF 236	22236 CC/W33	SR 36-30	LOR 165	LOR 154	AN 36	W 36	286
			SAW 23236	SAW 236	23236 CC/W33	SR 36-30	LOR 165	LOR 154	AN 36	W 36	286

¹⁾ Optional internal radial clearance (e.g. C3) available on request



Complete pillow block

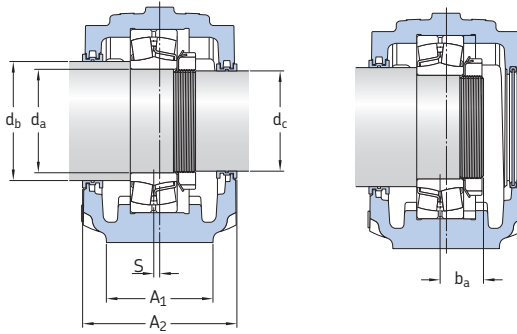
Designation Dimensions

	A ₁	A ₂	S	b _a	H	H ₁	H ₂	J _{min}	J _{max}	J ₁	L	N ₁	G
–	in.												
SAF 22224	4 3/4	7 3/8	3/16	2 9/32	10 1/8	5.250	2 1/8	13 1/4	14 1/2	2 3/4	16 1/2	7/8	3/4
SAF 22324	6 1/4	8 3/8	3/16	2 13/32	12 1/2	6.312	2 1/2	17	18 1/4	3 3/4	21 1/4	1 1/8	1
SAW 23224	4 3/4	7 3/8	3/16	2 17/32	10 1/8	5.250	2 1/8	13 1/4	14 1/2	2 3/4	16 1/2	7/8	3/4
SAF 22226	5 1/4	7 5/8	3/16	2 15/32	11 5/8	6.000	2 3/8	14 5/8	16	3 1/4	18 3/8	15/16	7/8
SAF 22326	6 1/4	8 3/4	3/16	3	13 5/16	6.688	2 5/8	17 3/8	19 1/4	3 3/4	22	1 1/8	1
SAW 23226	5 1/4	7 5/8	3/16	2 3/4	11 5/8	6.000	2 3/8	14 5/8	16	3 1/4	18 3/8	15/16	7/8
SAF 22228	5 7/8	7 5/8	3/16	2 29/64	12 1/32	6.000	2 3/8	15 5/8	17 3/8	3 3/8	20 1/8	1 1/8	1
SAF 22328	6 3/4	9 3/8	3/16	3 1/4	14 3/16	7.062	2 3/4	19 3/8	21 5/8	4 1/4	24 3/4	1 1/8	1
SAW 23228	5 7/8	9 1/8	3/16	2 31/32	11 3/4	6.000	2 3/8	16	17 1/8	3 3/8	20 1/8	1 1/8	1
SAF 22230	6 1/4	8 1/2	3/16	2 39/64	12 5/8	6.312	2 1/2	17	18 1/4	3 3/4	21 1/4	1 1/8	1
SAF 22330	7 1/8	9 3/4	3/16	3 7/16	14 7/8	7.500	3	20 7/8	23 5/8	4 5/8	26 3/4	1 1/8	1
SAF 22232	6 1/4	8 3/4	3/16	2 31/32	13 1/4	6.688	2 5/8	17 3/8	19 1/4	3 3/4	22	1 1/8	1
SAF 22332	7 1/2	10 3/4	3/16	3 5/8	15 11/16	7.875	3 1/8	21 5/8	24 3/8	4 1/2	28	1 3/8	1 1/4
SAF 22234	6 3/4	9 9/16	3/16	3 1/8	14 3/16	7.062	2 3/4	19 3/8	21 5/8	4 1/4	24 3/4	1 1/8	1
SAF 22334	8	11 1/4	3/16	3 3/4	16 1/2	8.250	3 3/8	22 1/2	25	5	29 1/2	1 3/8	1 1/4
SAF 22236	7 1/8	10	3/16	3 9/64	14 7/8	7.500	3	20 7/8	23 5/8	4 5/8	26 3/4	1 1/8	1
SAW 23236	7 1/8	10	3/16	3 21/32	14 7/8	7.500	3	20 7/8	23 5/8	4 5/8	26 3/4	1 1/8	1

8.5 SAF and SAW pillow blocks with spherical roller bearings on a cylindrical seat

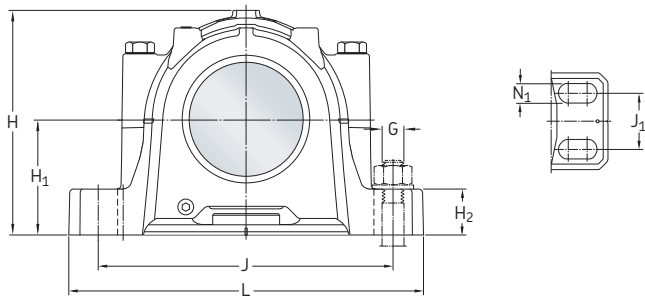
Series SAF 222(00), 223(00) and SAW series 232(00)

d_a 190 – 220 mm



Shaft diameter			Complete pillow block	Components		Stabilizing ring (1 incl.)	Labyrinth seals Shaft diameter d_b	Shaft diameter d_c	Lock nut	Locking washer	Mass
d_a	d_b	d_c		Pillow block housing	Bearing ¹⁾						
mm	in.		–	–							lb.
190	8 3/8	7 1/4	SAF 22238	SAF 238	22238 CC/W33	SR 38-32	LOR 171	LOR 160	AN 38	W 38	356
			SAF 22338	SAF 338	22338 CC/W33	SR 44-38	LOR 171	LOR 160	AN 38	W 38	589
			SAW 23238	SAW 238	23238 CC/W33	SR 38-32	LOR 171	LOR 160	AN 38	W 38	430
200	8 3/4	7 5/8	SAF 22240	SAF 240	22240 CC/W33	SR 40-34	LOR 175	LOR 164	AN 40	W 40	408
			SAF 22340	SAF 340	22340 CC/W33	SR 0-40	LOR 175	LOR 164	AN 40	W 40	809
			SAW 23240	SAW 240	23240 CC/W33	SR 40-34	LOR 175	LOR 164	AN 40	W 40	515
220	9 9/16	8 5/16	SAF 22244	SAF 244	22244 CC/W33	SR 44-38	LOR 179	LOR 170	N 44	W 44	535
			SAW 23244	SAW 244	23244 CC/W33	SR 44-38	LOR 179	LOR 170	N 44	W 44	710

¹⁾ Optional internal radial clearance (e.g. C3) available on request



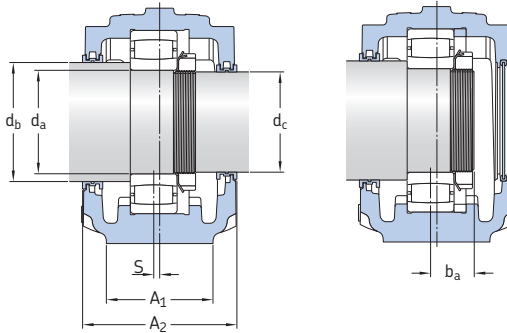
Complete pillow block

Designation Dimensions

	A ₁	A ₂	S	b _a	H	H ₁	H ₂	J _{min}	J _{max}	J ₁	L	N ₁	G
–	in.												
SAF 22238	7 1/2	10 3/4	3/16	3 19/64	15 11/16	7.875	3 1/8	21 5/8	24 3/8	4 1/2	28	1 3/8	1 1/4
SAF 22338	8 3/4	12	3/16	4 1/16	18 5/8	9.500	3 3/4	24 3/4	27 7/8	5 1/4	32 3/4	1 5/8	1 1/2
SAW 23238	7 1/2	10 7/8	3/16	3 27/32	15 11/16	7.875	3 1/8	21 5/8	24 3/8	4 1/2	28	1 3/8	1 1/4
SAF 22240	8	11 1/4	3/16	3 1/2	16 1/2	8.250	3 3/8	22 1/2	25	5	29 1/2	1 3/8	1 1/4
SAF 22340	9	12 3/8	3/16	4 1/8	19 1/2	9.875	4	26 1/4	29 1/2	5 1/2	34 1/4	1 5/8	1 1/2
SAW 23240	8	11 3/8	3/16	4 1/16	16 1/2	8.250	3 3/8	22 1/2	25	5	29 1/2	1 3/8	1 1/4
SAF 22244	8 3/4	12	3/16	3 5/8	18 5/8	9.500	3 3/4	24 3/4	27 7/8	5 1/4	32 3/4	1 5/8	1 1/2
SAW 23244	8 3/4	12 1/8	3/16	4 15/32	18 5/8	9.500	3 3/4	24 3/4	27 7/8	5 1/4	32 3/4	1 5/8	1 1/2

8.6 SAF pillow blocks with CARB bearings on a cylindrical seat Series SAF C22(00) and C23(00)

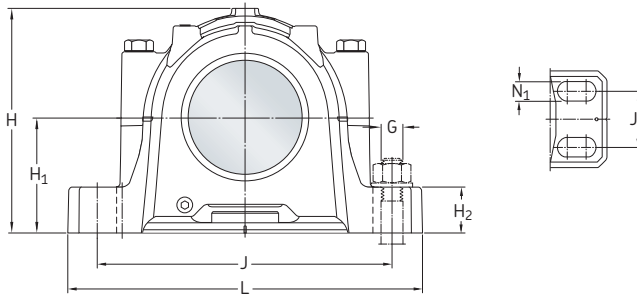
d_a 65 – 90 mm



Units of measurement
In this chapter only imperial units are used. To convert imperial units to metric units, refer to the conversion table on page 10.

Shaft diameter			Complete pillow block	Components			Stabilizing ring	Labyrinth seals	Lock nut	Locking washer	Mass
d_a	d_b	d_c		Pillow block housing	Bearing ¹⁾	Shaft diameter					
mm	in.		–	–		(1 incl.)	d_b	d_c			lb.
65	3 ^{1/16}	2 ^{7/16}	SAF C2213	SAF 213	C 2213 TN9	SR 13-0	LOR 55	LOR 37	KMFE 13	–	22
70	3 ^{1/4}	2 ^{5/8}	SAF C2314	SAF 314	C 2314	SR 17-14	LOR 64	LOR 43	N 14	W 14	42
			FSAF C2314	FSAF 314	C 2314	SR 17-14	LOR 64	LOR 43	N 14	W 14	42
75	3 ^{7/16}	2 ^{13/16}	SAF C2215	SAF 215	C 2215	SR 15-0	LOR 79	LOR 46	KMFE 15	–	27
			SAF C2315	SAF 315	C 2315	SR 18-15	LOR 79	LOR 46	AN 15	W 15	48
			FSAF C2215	FSAF 215	C 2215	SR 15-0	LOR 79	LOR 46	KMFE 15	–	27
80	3 ^{5/8}	3	FSAF C2315	FSAF 315	C 2315	SR 18-15	LOR 79	LOR 46	AN 15	W 15	48
			SAF C2216	SAF 216	C 2216	SR 16-13	LOR 82	LOR 54	KMFE 16	–	34
			SAF C2316	SAF 316	C 2316	SR 19-16	LOR 84	LOR 60	AN 16	W 16	67
85	3 ^{15/16}	3 ^{3/16}	FSAF C2216	FSAF 216	C 2216	SR 16-13	LOR 82	LOR 54	KMFE 16	–	34
			FSAF C2316	FSAF 316	C 2316	SR 19-16	LOR 84	LOR 60	AN 16	W 16	67
			SAF C2217	SAF 217	C 2217	SR 17-14	LOR 89	LOR 63	KMFE 17	–	35
90	4 ^{1/8}	3 ^{3/8}	SAF C2317	SAF 317	C 2317	SR 20-17	LOR 109	LOR 188	AN 17	W 17	71
			FSAF C2217	FSAF 217	C 2217	SR 17-14	LOR 89	LOR 63	KMFE 17	–	35
			FSAF C2317	FSAF 317	C 2317	SR 20-17	LOR 109	LOR 188	AN 17	W 17	71
90	4 ^{1/8}	3 ^{3/8}	SAF C2218	SAF 218	C 2218	SR 18-15	LOR 112	LOR 191	KMFE 18	–	44
			SAF C2318	SAF 318	C 2318	SR 21-18	LOR 112	LOR 191	AN 18	W 18	92
			FSAF C2218	FSAF 218	C 2218	SR 18-15	LOR 112	LOR 191	KMFE 18	–	44

¹⁾ Optional internal radial clearance (e.g. C3) available on request



Complete pillow block

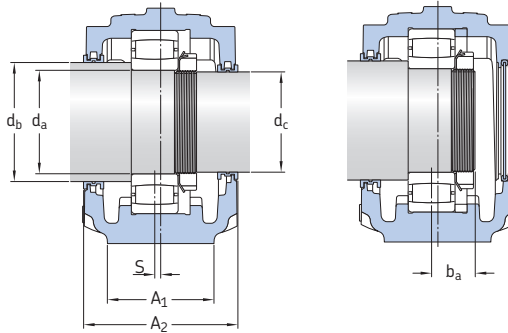
Designation Dimensions

	A ₁	A ₂	S	b _a	H	H ₁	H ₂	J _{min}	J _{max}	J ₁	L	N ₁	G
–	in.												
SAF C2213	3 1/8	4 1/2	5/32	1 25/64	5 13/16	3.000	1	8 1/8	9 1/2	–	11	3/4	5/8
SAF C2314	3 1/2	5 3/8	3/16	1 11/16	7 3/8	3.750	1 1/4	9 7/8	11	–	13	7/8	3/4
FSAF C2314	3 1/2	5 3/8	3/16	1 11/16	7 3/8	3.750	1 1/4	9 7/8	11	2 1/8	13	3/4	5/8
SAF C2215	3 1/8	4 11/16	1/8	1 7/16	6 7/32	3.250	1 1/8	8 5/8	9 5/8	–	11 1/4	3/4	5/8
SAF C2315	3 7/8	5 7/8	3/16	1 7/8	7 9/16	4.000	1 5/8	10 3/8	11 5/8	–	13 3/4	7/8	3/4
FSAF C2215	3 1/8	4 11/16	1/8	1 7/16	6 7/32	3.250	1 1/8	8 5/8	9 5/8	1 7/8	11 1/4	5/8	1/2
FSAF C2315	3 7/8	5 7/8	3/16	1 7/8	7 9/16	4.000	1 5/8	10 3/8	11 5/8	2 1/8	13 3/4	3/4	5/8
SAF C2216	3 1/2	5	3/16	1 15/32	6 11/16	3.500	1 1/4	9 5/8	11	–	13	7/8	3/4
SAF C2316	3 7/8	6 1/2	3/16	1 15/16	8 1/4	4.250	1 3/4	10 5/8	12 5/8	–	14 1/4	7/8	3/4
FSAF C2216	3 1/2	5	3/16	1 15/32	6 11/16	3.500	1 1/4	9 5/8	11	2 1/8	13	11/16	5/8
FSAF C2316	3 7/8	6 1/2	3/16	1 15/16	8 1/4	4.250	1 3/4	10 5/8	12 5/8	2 1/8	14 1/4	3/4	5/8
SAF C2217	3 1/2	5	3/16	1 9/16	7 1/8	3.750	1 1/4	9 7/8	11	–	13	7/8	3/4
SAF C2317	4 3/8	6 3/4	3/16	2 1/16	8 3/4	4.500	1 3/4	11 5/8	13 1/8	–	15 1/4	1	7/8
FSAF C2217	3 1/2	5	3/16	1 9/16	7 1/8	3.750	1 1/4	9 7/8	11	2 1/8	13	3/4	5/8
FSAF C2317	4 3/8	6 3/4	3/16	2 1/16	8 3/4	4.500	1 3/4	11 5/8	13 1/8	2 3/8	15 1/4	7/8	3/4
SAF C2218	3 7/8	5 7/8	3/16	1 3/4	7 19/32	4.000	1 5/8	10 1/4	11 3/4	–	13 3/4	7/8	3/4
SAF C2318	4 3/8	6 7/8	3/16	2 3/16	9 3/16	4.750	2	12	13 1/2	2 1/4	15 1/2	7/8	3/4
FSAF C2218	3 7/8	5 7/8	3/16	1 3/4	7 19/32	4.000	1 5/8	10 3/8	11 5/8	2 1/8	13 3/4	11/16	5/8

8.6 SAF pillow blocks with CARB bearings on a cylindrical seat

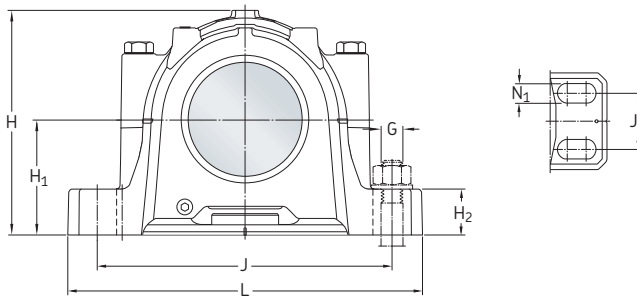
Series SAF C22(00) and C23(00)

d_a 100 – 220 mm



Shaft diameter			Complete pillow block	Components		Stabilizing ring	Labyrinth seals	Lock nut	Locking washer	Mass	
d_a	d_b	d_c		Pillow block housing	Bearing ¹⁾						
mm	in.		–	–		(1 incl.)	Shaft diameter d_b	Shaft diameter d_c		lb.	
100	4 1/2	3 13/16	SAF C2220	SAF 220	C 2220	SR 20-17	LOR 118	LOR 106	KMFE 20	–	59
			SAF C2320	SAF 320	C 2320	SR 24-20	LOR 118	LOR 106	AN 20	W 20	107
	4 1/2	3 13/16	FSAF C2220	FSAF 220	C 2220	SR 20-17	LOR 118	LOR 106	KMFE 20	–	59
110	4 7/8	4 3/16	SAF C2222	SAF 222	C 2222	SR 22-19	LOR 121	LOR 113	KMFE 22	–	88
130	5 7/8	4 15/16	SAF C2226	SAF 226	C 2226	SR 26-0	LOR 136	LOR 122	KML 26	MBL 26	134
140	6 1/4	5 5/16	SAF C2228	SAF 228	C 2228	SR 28-0	LOR 144	LOR 127	KML 28	MBL 28	149
150	6 5/8	5 3/4	SAF C2230	SAF 230	C 2230	SR 30-0	LOR 151	LOR 134	KML 30	MBL 30	187
170	7 7/16	6 7/16	SAF C2234	SAF 234	C 2234	SR 34-0	LOR 161	LOR 148	KML 34	MBL 34	263
190	8 3/8	7 1/4	SAF C2238	SAF 238	C 2238	SR 38-32	LOR 171	LOR 160	KML 38	MBL 38	356
220	9 9/16	8 5/16	SAF C2244	SAF 244	C 2244	SR 44-38	LOR 179	LOR 170	KML 44	MBL 44	535

¹⁾ Optional internal radial clearance (e.g. C3) available on request



Complete pillow block

Designation Dimensions

	A ₁	A ₂	S	b _a	H	H ₁	H ₂	J _{min}	J _{max}	J ₁	L	N ₁	G
–	in.												
SAF C2220	4 3/8	6 1/32	3/16	1 59/64	8 9/16	4.500	1 3/4	11 5/8	13 1/8	–	15 1/4	1	7/8
SAF C2320	4 3/4	7 5/16	3/16	2 7/16	10 3/16	5.250	2 1/8	13 1/4	14 1/2	2 3/4	16 1/2	7/8	3/4
FSAF C2220	4 3/8	6 1/32	3/16	1 59/64	8 9/16	4.500	1 3/4	11 5/8	13 1/8	2 3/8	15 1/4	13/16	3/4
SAF C2222	4 3/4	6 1/2	3/16	2 1/8	9 7/16	4.938	2	12 5/8	14 1/2	2 3/4	16 1/2	7/8	3/4
SAF C2226	5 1/4	7 5/8	3/16	2 15/32	11 5/8	6.000	2 3/8	14 5/8	16	3 1/4	18 3/8	15/16	7/8
SAF C2228	5 7/8	7 5/8	3/16	2 29/64	12 1/32	6.000	2 3/8	15 5/8	17 3/8	3 3/8	20 1/8	1 1/8	1
SAF C2230	6 1/4	8 1/2	3/16	2 39/64	12 5/8	6.312	2 1/2	17	18 1/4	3 3/4	21 1/4	1 1/8	1
SAF C2234	6 3/4	9 9/16	3/16	3 1/8	14 3/16	7.062	2 3/4	19 3/8	21 5/8	4 1/4	24 3/4	1 1/8	1
SAF C2238	7 1/2	10 3/4	3/16	3 19/64	15 11/16	7.875	3 1/8	21 5/8	24 3/8	4 1/2	28	1 3/8	1 1/4
SAF C2244	8 3/4	12	3/16	3 5/8	18 5/8	9.500	3 3/4	24 3/4	27 7/8	5 1/4	32 3/4	1 5/8	1 1/2